

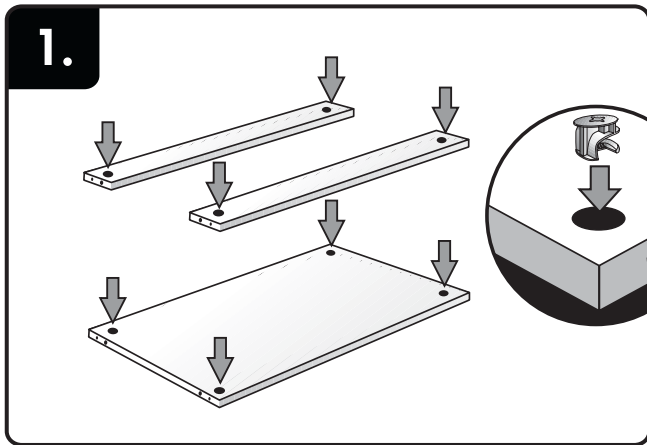


boardprep

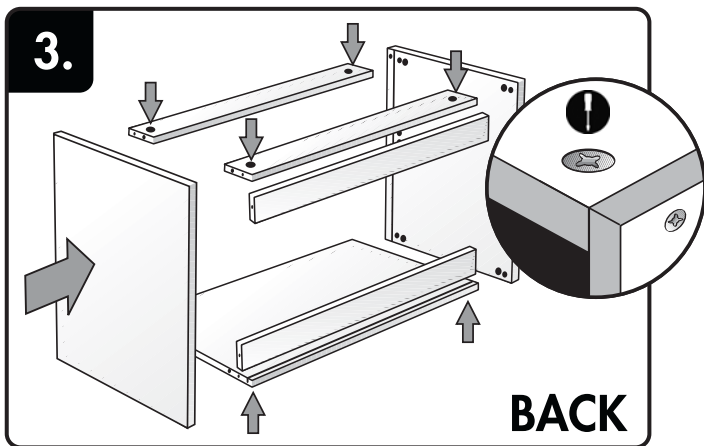
5 Circuit Road Westmead 3608 | Tel: 031 700 3187
 Fax: 031 700 3781 | www.boardprep.co.za

2 DOOR FLOOR UNIT WITH MULLION

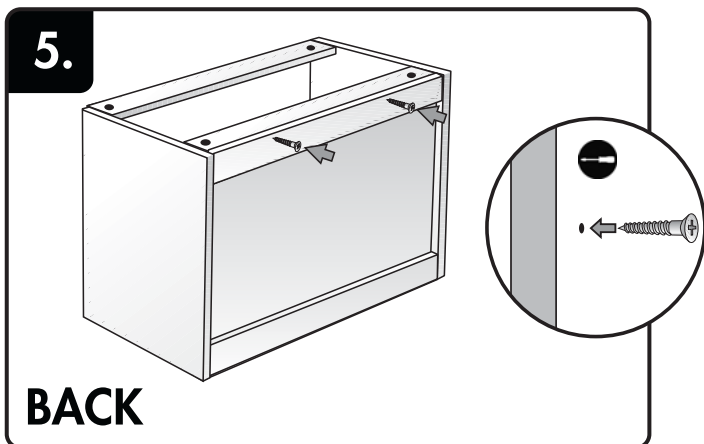
ASSEMBLY INSTRUCTIONS



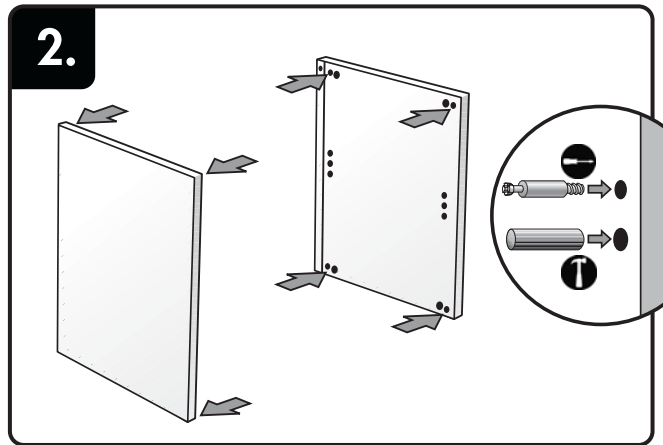
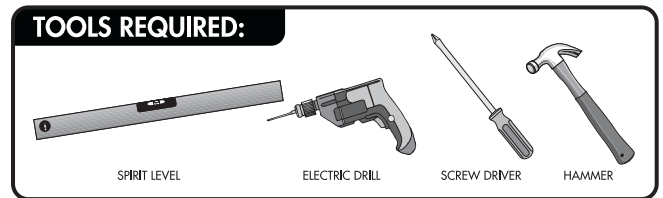
Place cam locks in pre drilled holes.



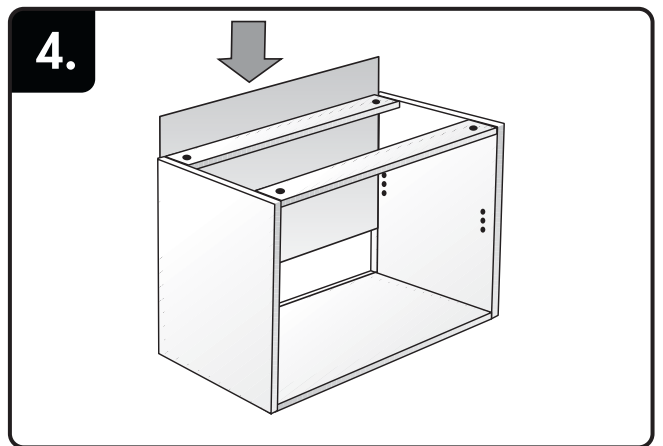
Join side panels and support rails then fasten cam locks.



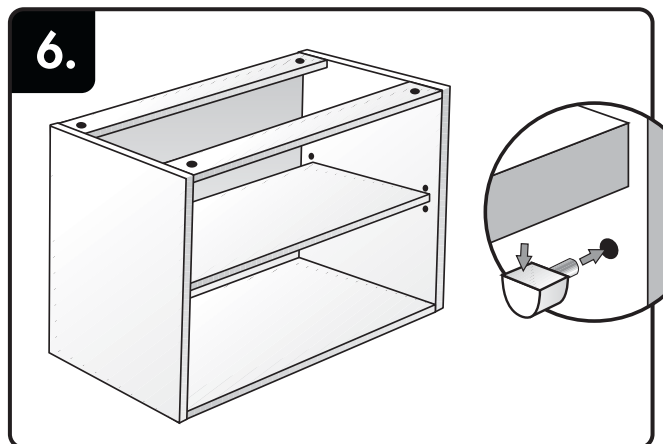
Screw support rails into position.



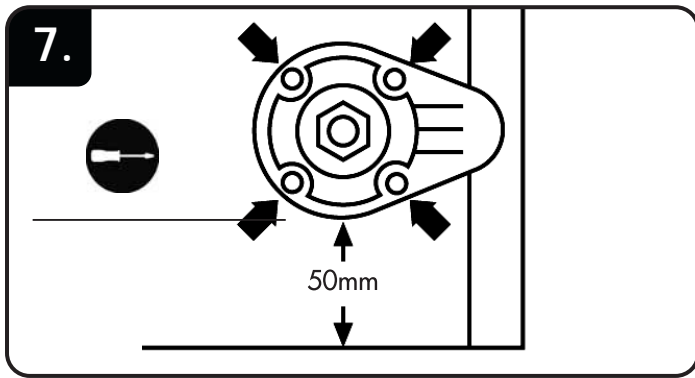
Screw studs and knock dowels into pre drilled holes in side panels.



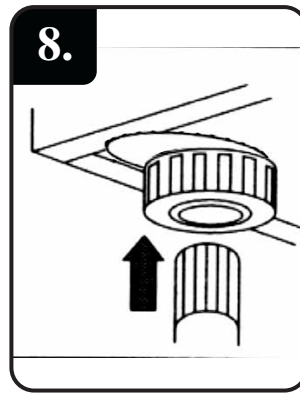
Slide back panel into position finished side facing inwards.



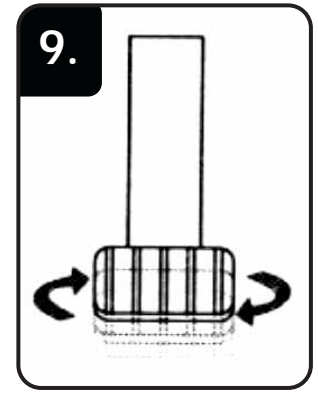
Insert shelf studs into the side panels and insert shelf.



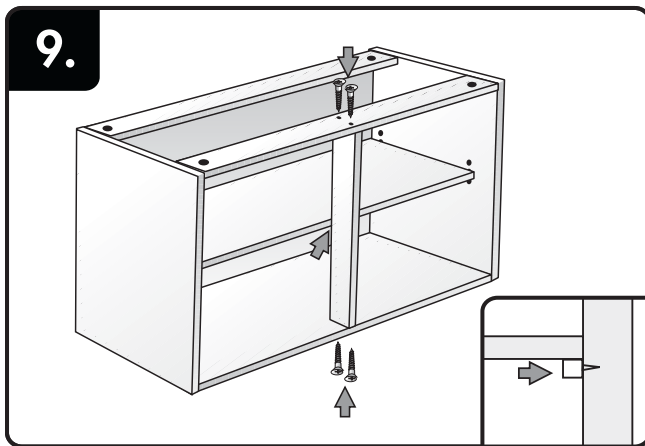
Mark lines along the base 50mm from the front and back of the unit. Line up the base section of the foot with this line and screw in, ensuring the flange goes over the join with the side panel for added stability. Note that the placement of the base overlapping the side panel does not apply for an exposed side, as it will interfere with the skirting board.



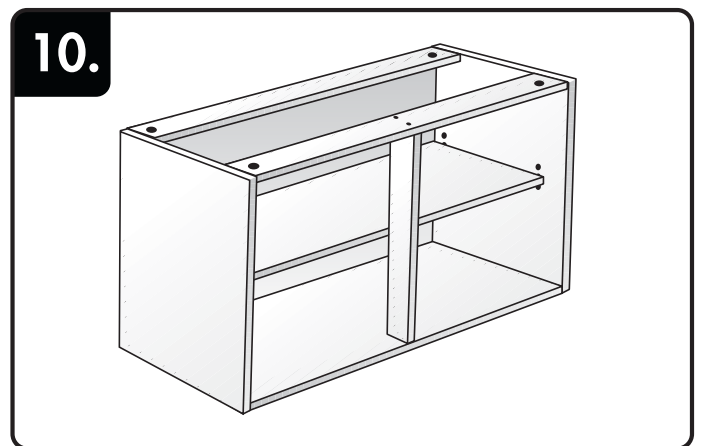
Adjust the other ends of all 6 of the legs until the unit sits level and stable on the ground



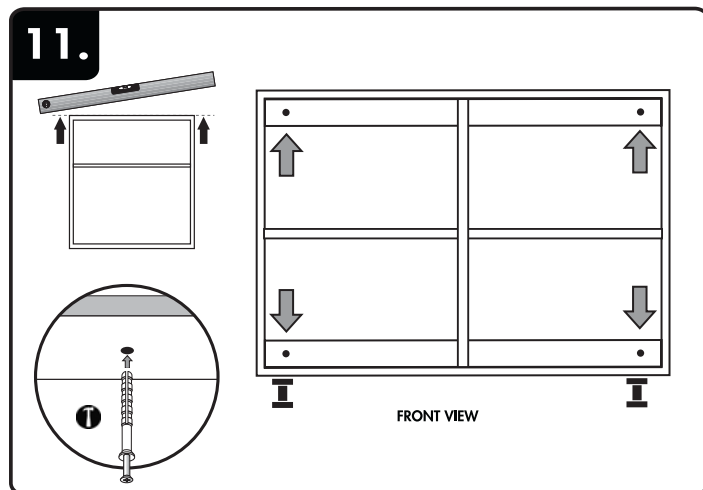
Adjust the other ends of all 6 of the legs until the unit sits level and stable on the ground



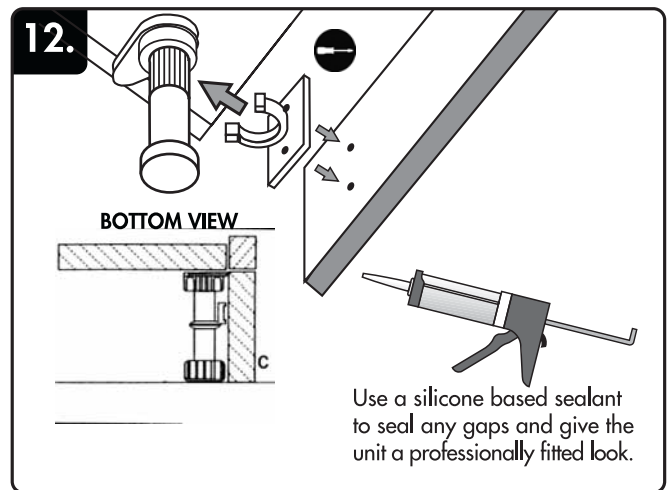
Screw mullions into place and insert nail-in shelf studs.



Unit is complete.



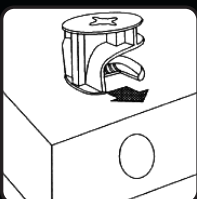
Place the cupboard in its final position and drill 4 holes for wall plugs – 2 go through the top rail into the wall and 2 in the bottom rail. Insert the wall plug into the holes, and hammer into place. Always use a spirit level to ensure cupboard is level when fixing it to the wall.



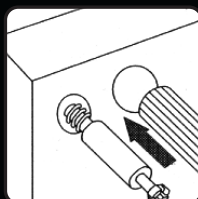
Use a silicone based sealant to seal any gaps and give the unit a professionally fitted look.

Each leg has a plate on it with a semi-circular clip attached which clips on to the shaft of the leg. Screw the plates onto the corresponding positions on the skirting first and then clip the entire skirting onto the legs.

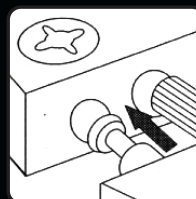
ASSEMBLY HINTS AND TIPS: Using Cam Locks -



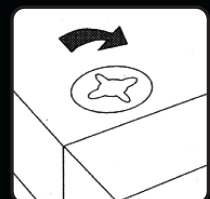
1. Place cam locks in pre drilled holes.



2. Screw studs and press dowels into pre drilled holes in side panels.



3. Join panels, inserting studs and dowels into the corresponding holes.



4. Tighten cam locks in a clockwise direction.