



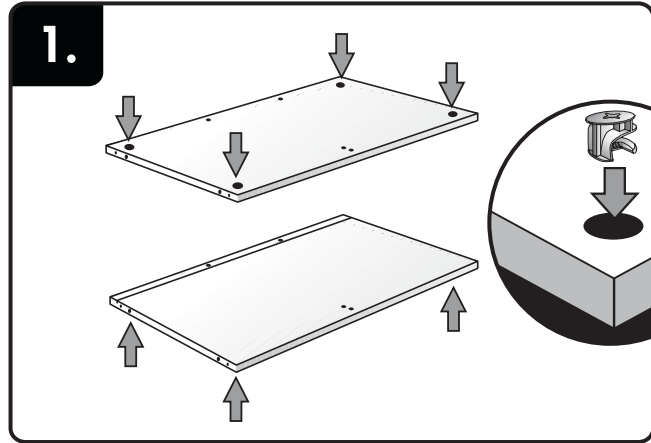
**RTA**  
READY TO  
ASSEMBLE

# boardprep

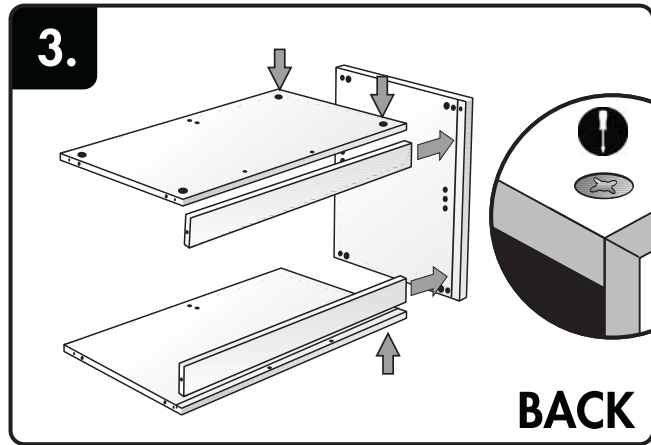
5 Circuit Road Westmead 3608 | Tel: 031 700 3187  
Fax: 031 700 3781 | www.boardprep.co.za

## 2 DOOR WALL UNIT WITH MULLION

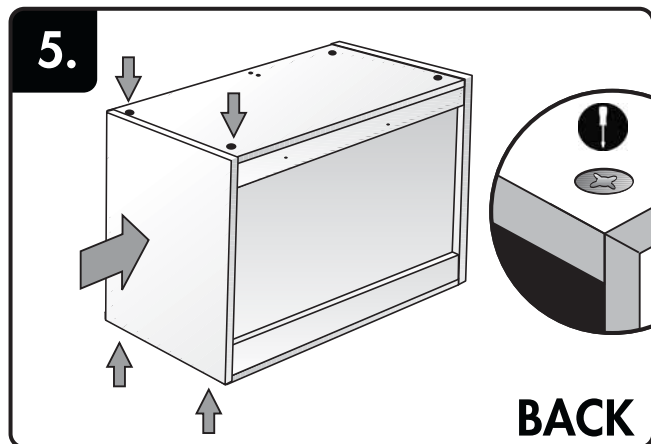
### ASSEMBLY INSTRUCTIONS



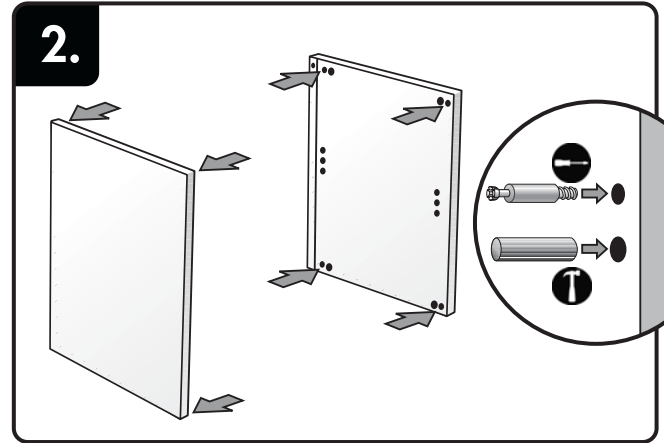
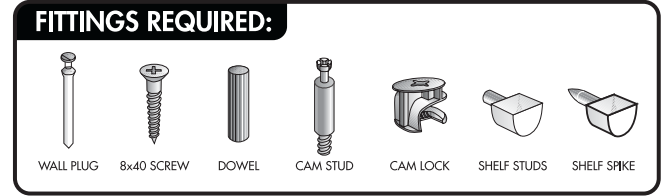
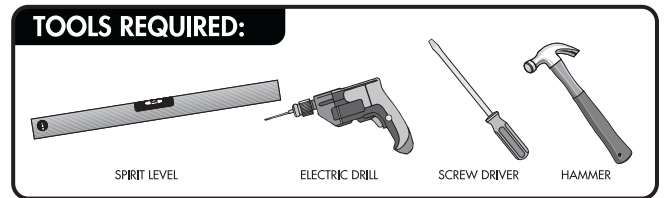
Place cam locks in pre drilled holes.  
(See assembly hints on last page)



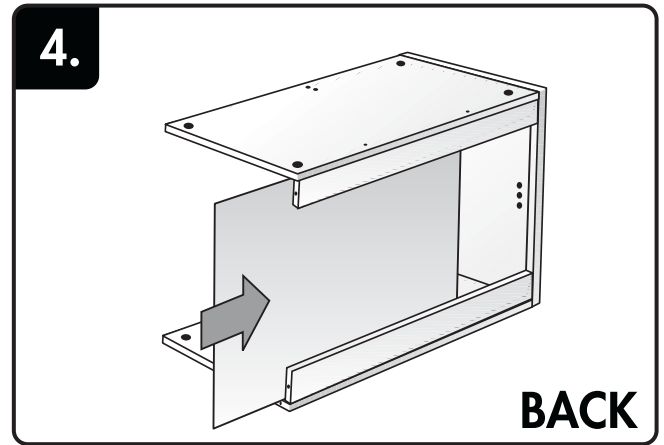
Join side panel and support rails then fasten cam locks.



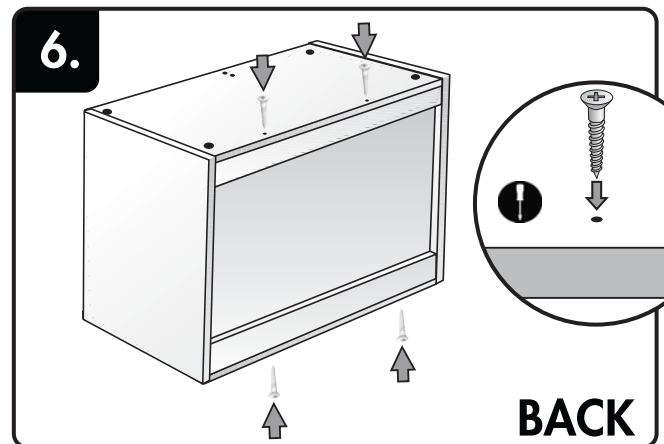
Join second side panel and fasten cam locks.



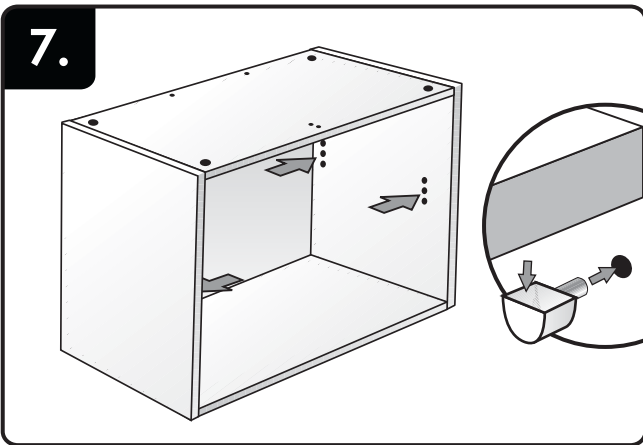
Screw studs and press dowels into pre drilled holes  
In side panels.



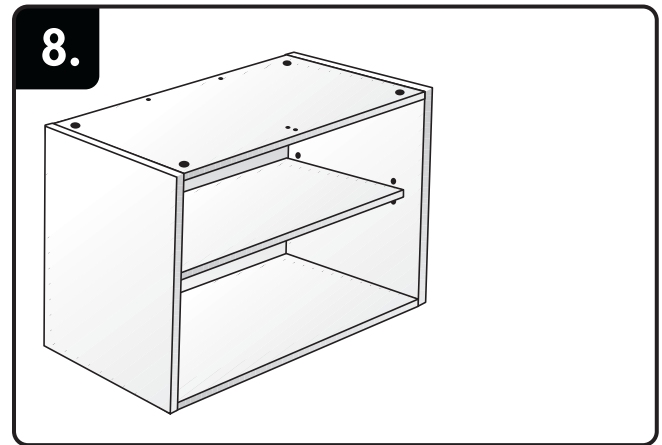
Slide back panel into position ensuring that the finished side is facing inwards.



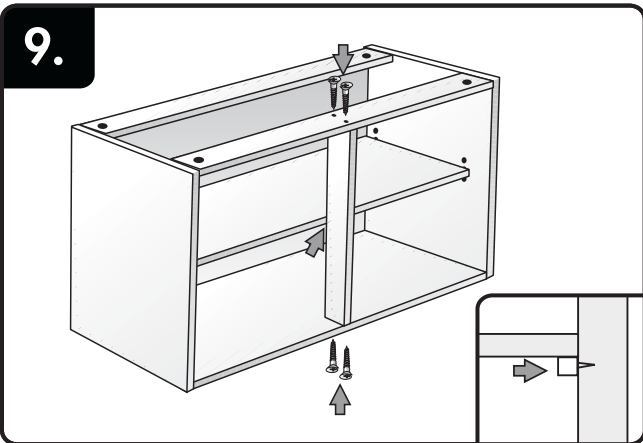
Screw support rails into position using the screws provided.



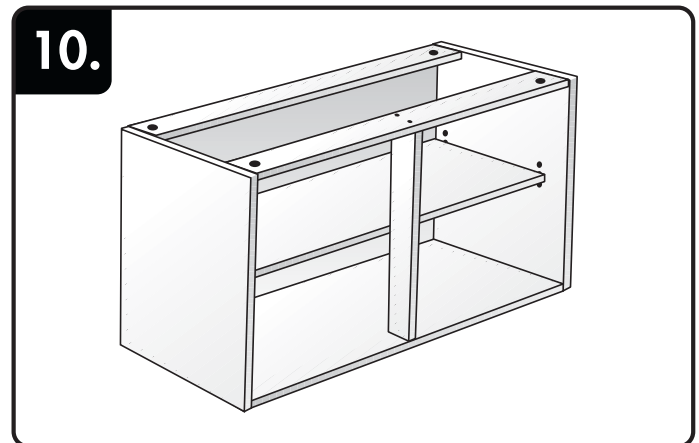
Insert shelf studs into the side panels.



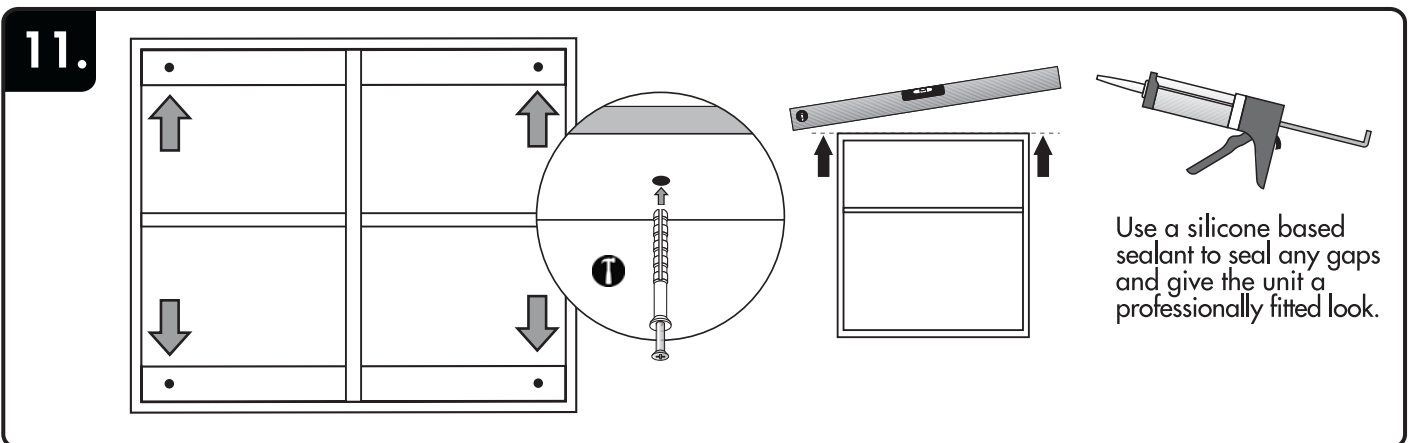
Insert shelves



Screw mullions into place and insert nail-in shelf studs.



Unit is complete.



Use a silicone based sealant to seal any gaps and give the unit a professionally fitted look.

Place the cupboard in its final position and drill 4 holes for wall plugs – 2 go through the top rail into the wall and 2 in the bottom rail. Insert the wall plug into the holes, and hammer into place. Always use a spirit level to ensure cupboard is level when fixing it to the wall.

**ASSEMBLY HINTS AND TIPS: Using Cam Locks -**



1. Place cam locks in pre drilled holes.



2. Screw studs and press dowels into pre drilled holes in side panels.



3. Join panels, inserting studs and dowels into the corresponding holes.



4. Tighten cam locks in a clockwise direction.