



# boardprep

5 Circuit Road Westmead 3608 | Tel: 031 700 3187  
 Fax: 031 700 3781 | www.boardprep.co.za

## 3 DOOR WALL UNIT WITH MULLION

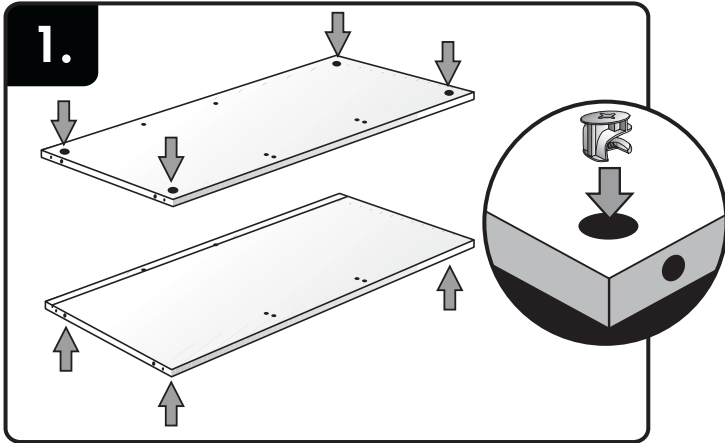
### ASSEMBLY INSTRUCTIONS

**TOOLS REQUIRED:**

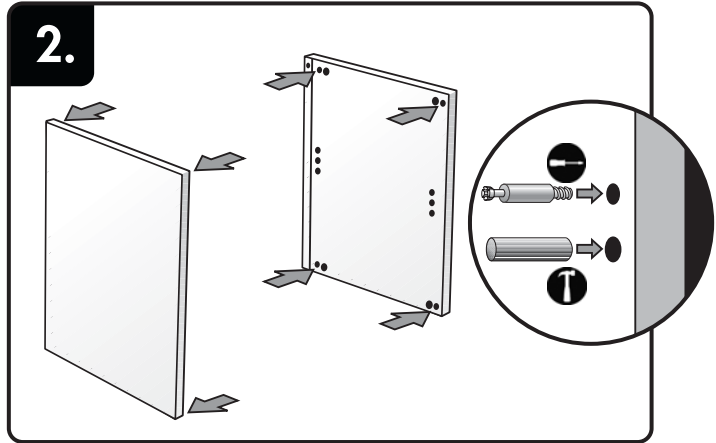
SPIRIT LEVEL      ELECTRIC DRILL      SCREW DRIVER      HAMMER

**FITTINGS REQUIRED:**

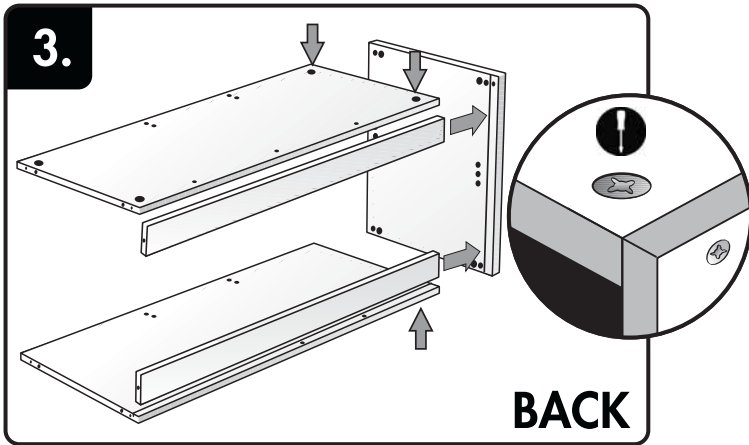
WALL PLUG      8x40 SCREW      DOWEL      CAM STUD      CAM LOCK      SHELF STUDS      SHELF SPIKE



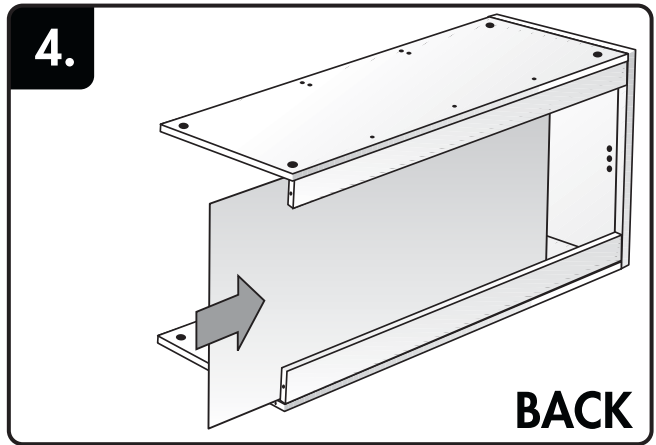
1. Place cam locks in pre drilled holes.  
 (See assembly hints on last page)



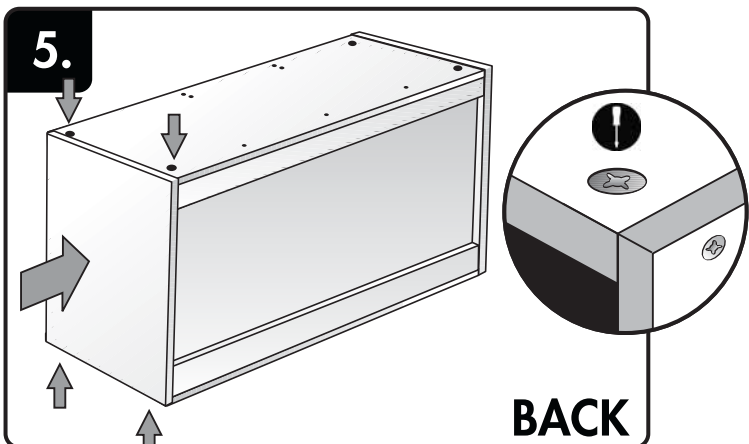
2. Screw studs and press dowels into pre drilled holes  
 In side panels.



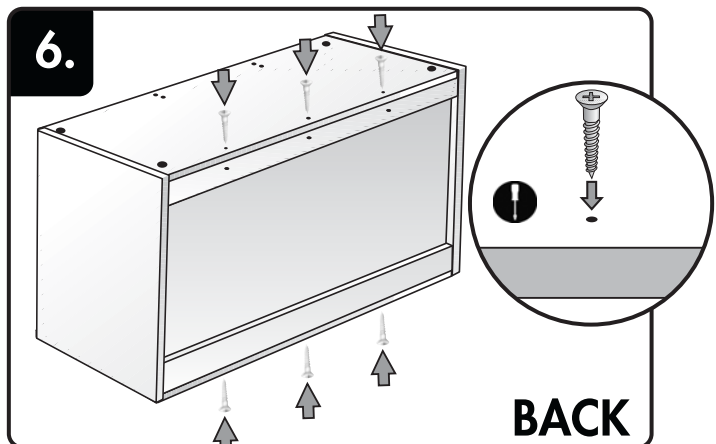
3. Join side panel and support rails then fasten cam locks.



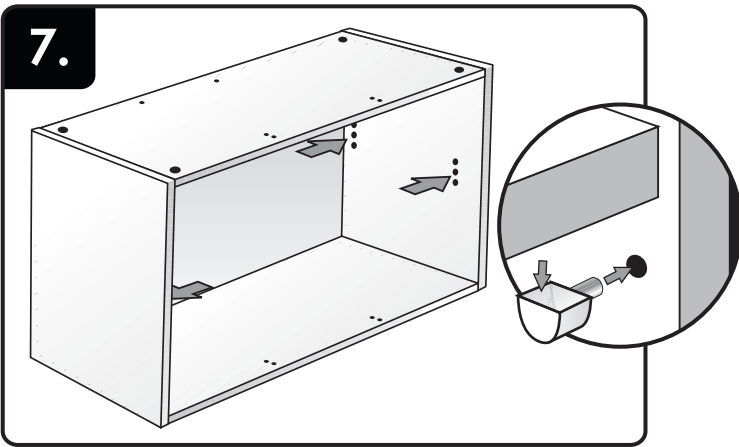
4. Slide back panel into position ensuring that the finished side is facing inwards.



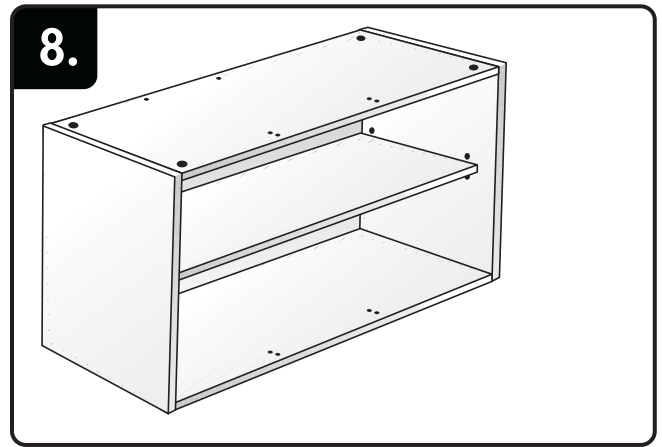
5. Join second side panel and fasten cam locks.



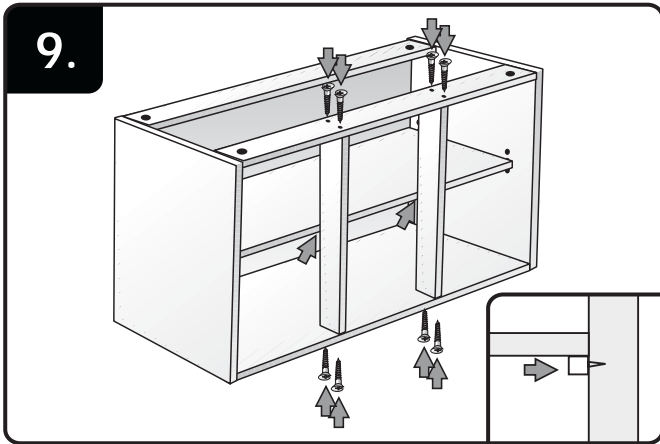
6. Screw support rails into position using the screws provided.



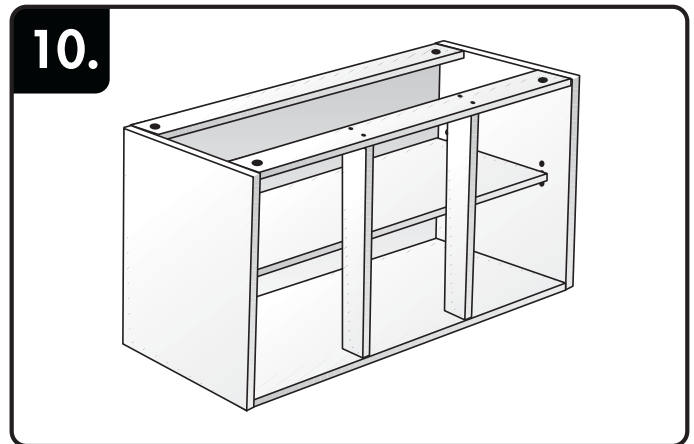
Insert shelf studs into the side panels.



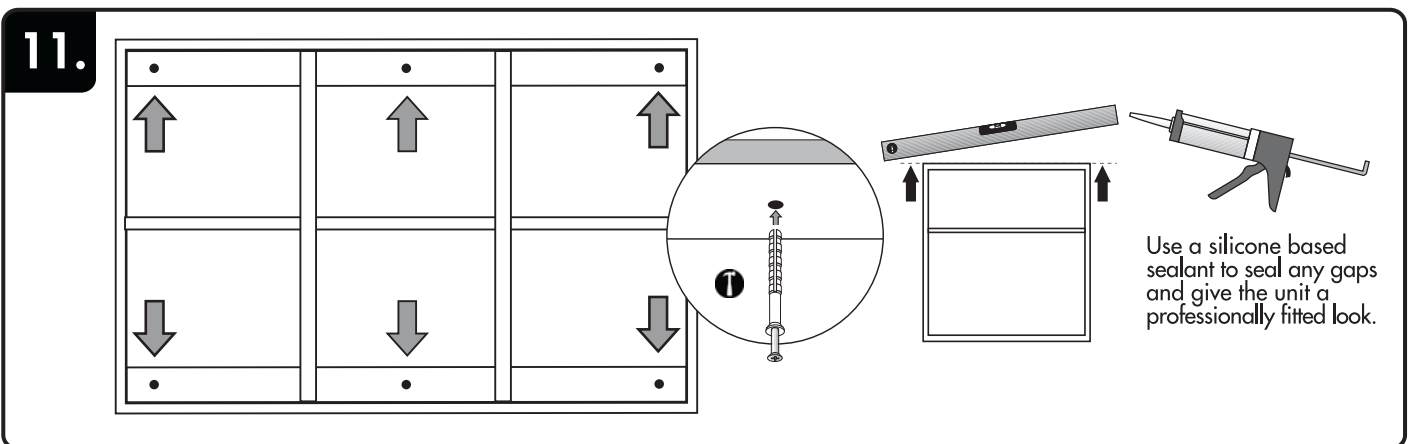
Insert shelves



Screw mullions into place and insert nail-in shelf studs.



Unit is complete.



Use a silicone based sealant to seal any gaps and give the unit a professionally fitted look.

Place the cupboard in its final position and drill 6 holes for wall plugs – 3 go through the top rail into the wall and 3 in the bottom rail. Insert the wall plug into the holes, and hammer into place. Always use a spirit level to ensure cupboard is level when fixing it to the wall.

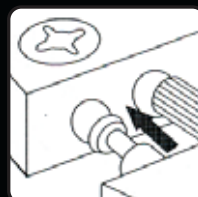
**ASSEMBLY HINTS AND TIPS: Using Cam Locks -**



1. Place cam locks in pre drilled holes.



2. Screw studs and press dowels into pre drilled holes in side panels.



3. Join panels, inserting studs and dowels into the corresponding holes.



4. Tighten cam locks in a clockwise direction.