

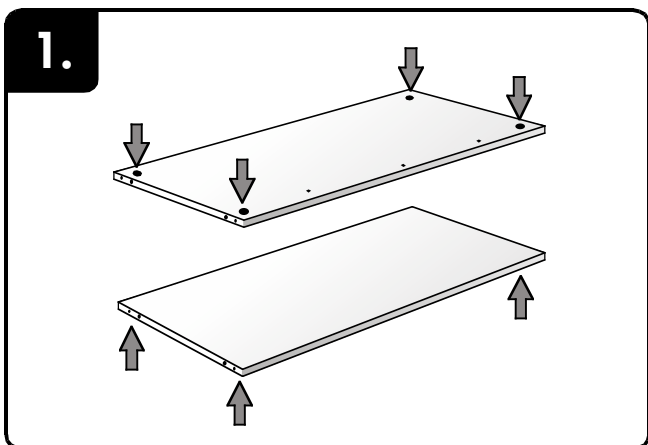
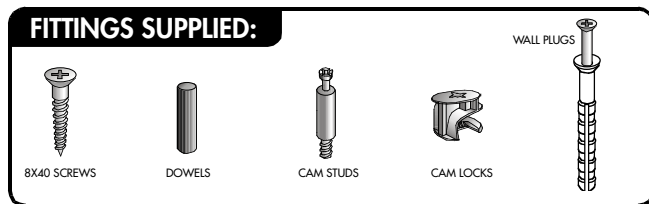
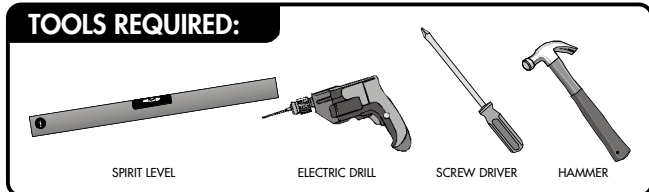


boardprep

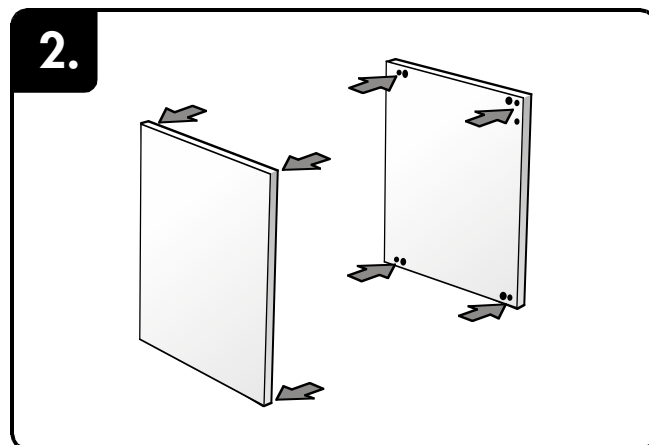
5 Circuit Road Westmead 3608 | Tel: 031 700 3187
 Fax: 031 700 3781 | www.boardprep.co.za

VANITY TOP BOX

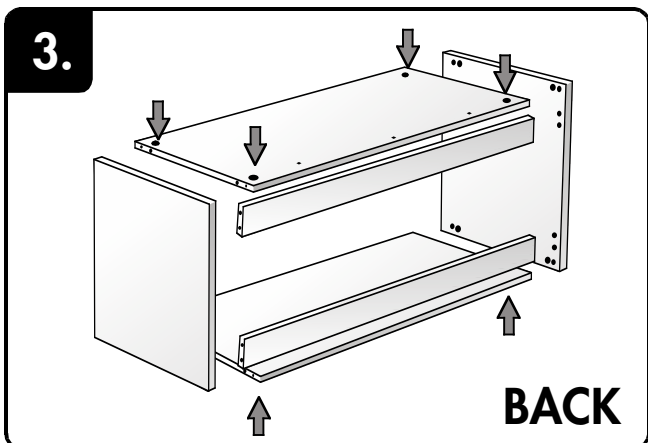
ASSEMBLY INSTRUCTIONS



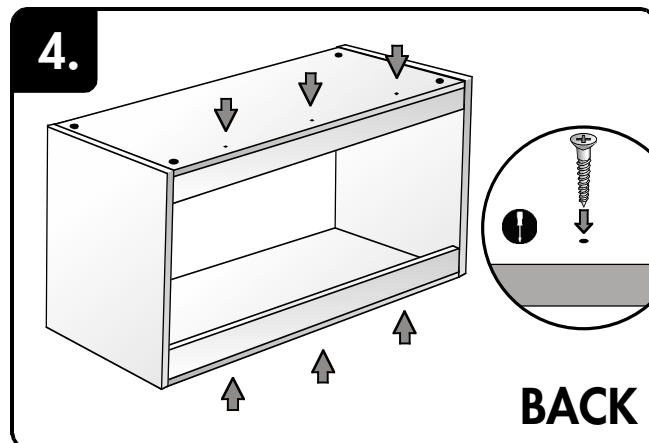
Place cam locks in pre drilled holes.



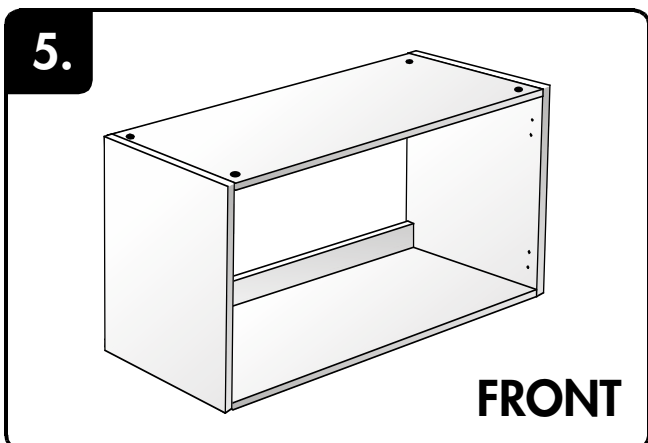
Screw studs and press dowels into pre drilled holes
 In side panels.



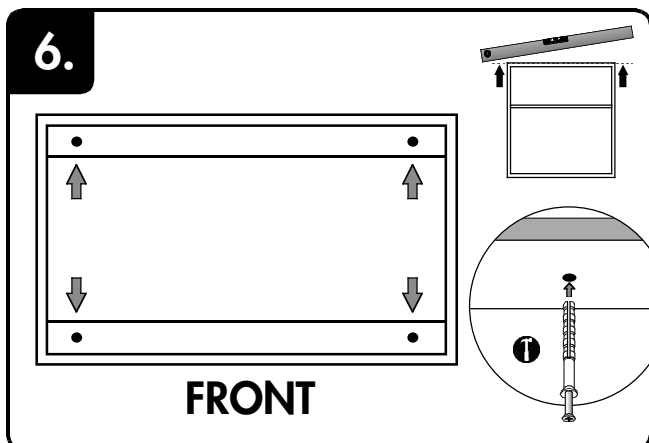
Join side panel and support rails then fasten cam locks.



Screw support rails into top and cupboard bottom.



Unit is complete and ready for instalation.



Always use a spirit level to ensure cupboard is level when
 fixing it to the wall. If unit is not level the installation will
 not be successful. Place the cupboard in its final position
 and drill 4 holes for wall plugs – 2 through each rail into
 the wall, insert the wall plug into the holes, and hammer
 into place.