



RTA
READY TO
ASSEMBLE

boardprep

5 Circuit Road Westmead 3608 | Tel: 031 700 3187

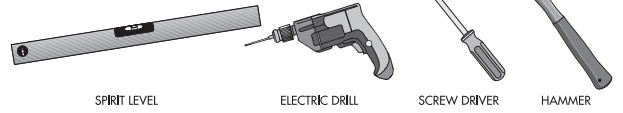
Fax: 031 700 3781 | www.boardprep.co.za

BROOM CUPBOARD

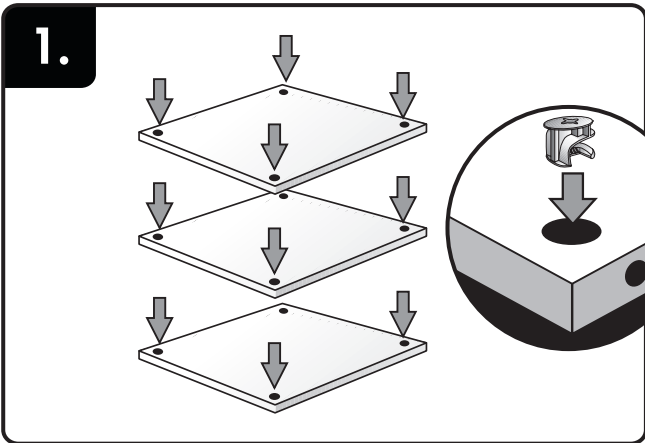
ASSEMBLY INSTRUCTIONS

V001

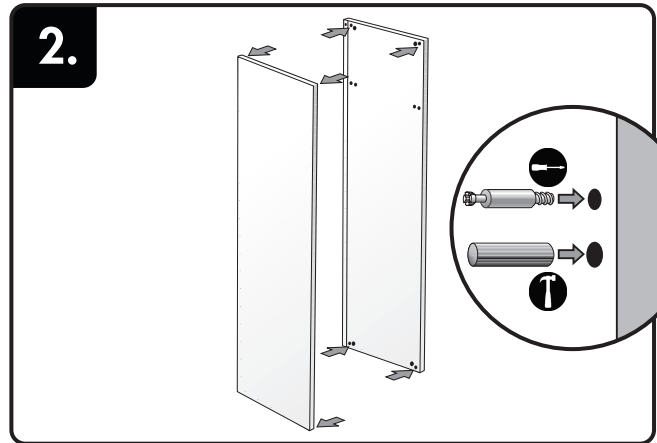
TOOLS REQUIRED:



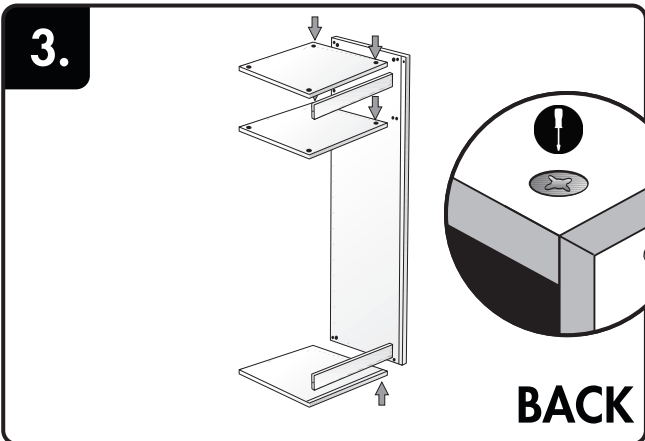
FITTINGS SUPPLIED:



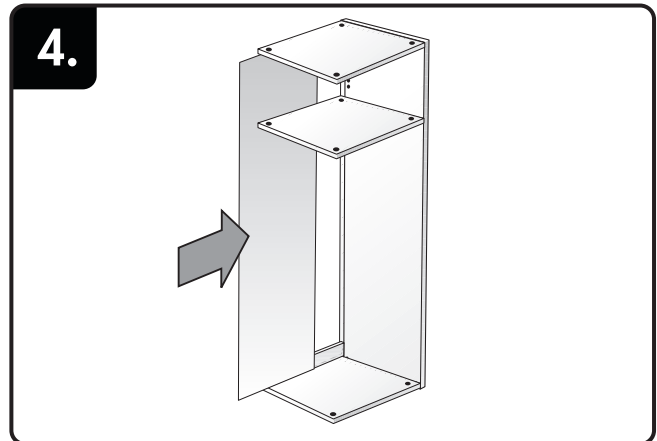
Place cam locks in pre-drilled holes.



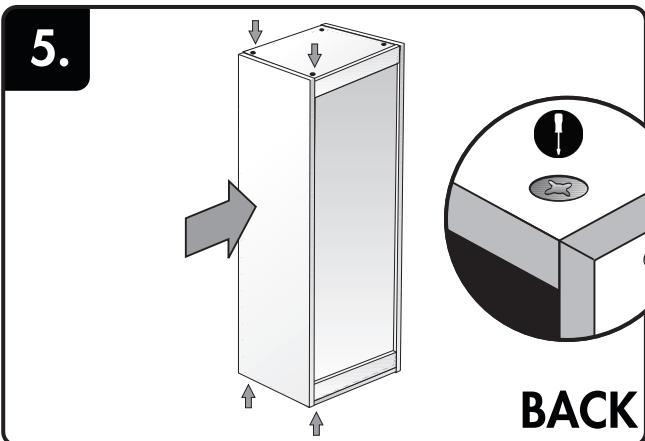
Screw studs and knock dowels into pre-drilled holes in side panels.



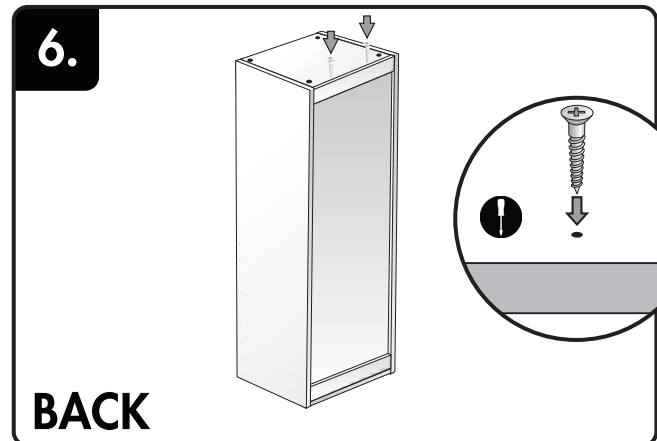
Join side panel and fasten cam locks. **NB: It may be easier to assemble the unit on its side.**



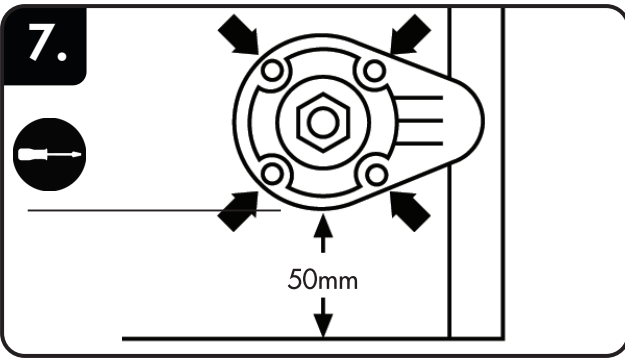
Slide back panel into position finished side facing inwards.



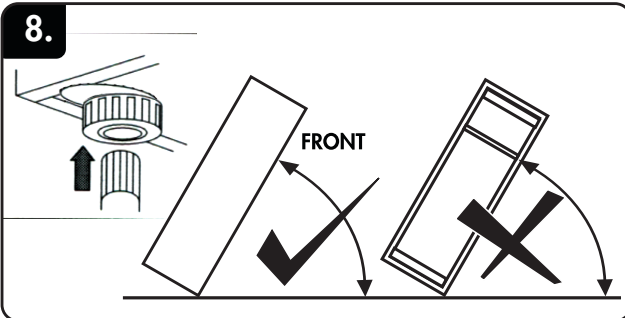
Join second side panel and fasten cam locks.



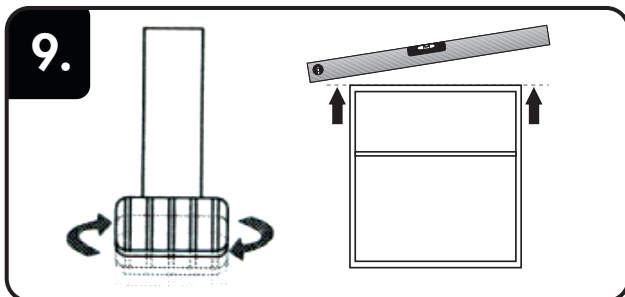
Screw back support rails into position.



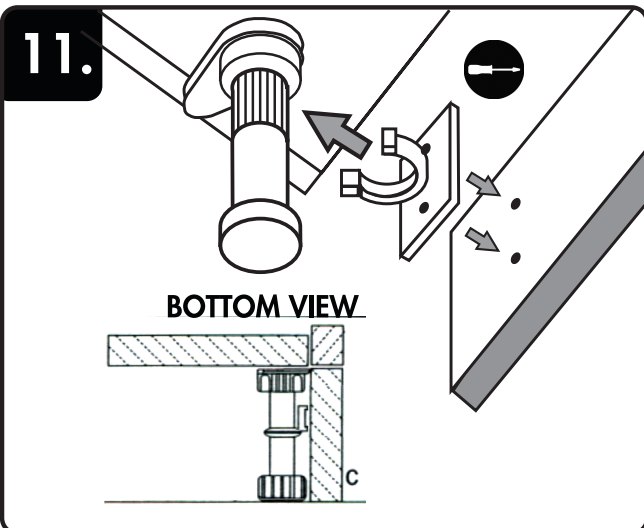
Mark lines along the base 50mm from the front and back of the unit. Line up the base section of the foot with this line and screw in, ensuring the flange goes over the joint with the side panel for added stability. Note that the placement of the base overlapping the side panel does not apply for an exposed side, as it will interfere with the skirting board.



Insert the rest of the leg into the base section. This will be done as the unit is manoeuvred into position. Care must be taken to use only the front or back leading edge – not the side edges – when raising the unit into position, or it may be damaged.

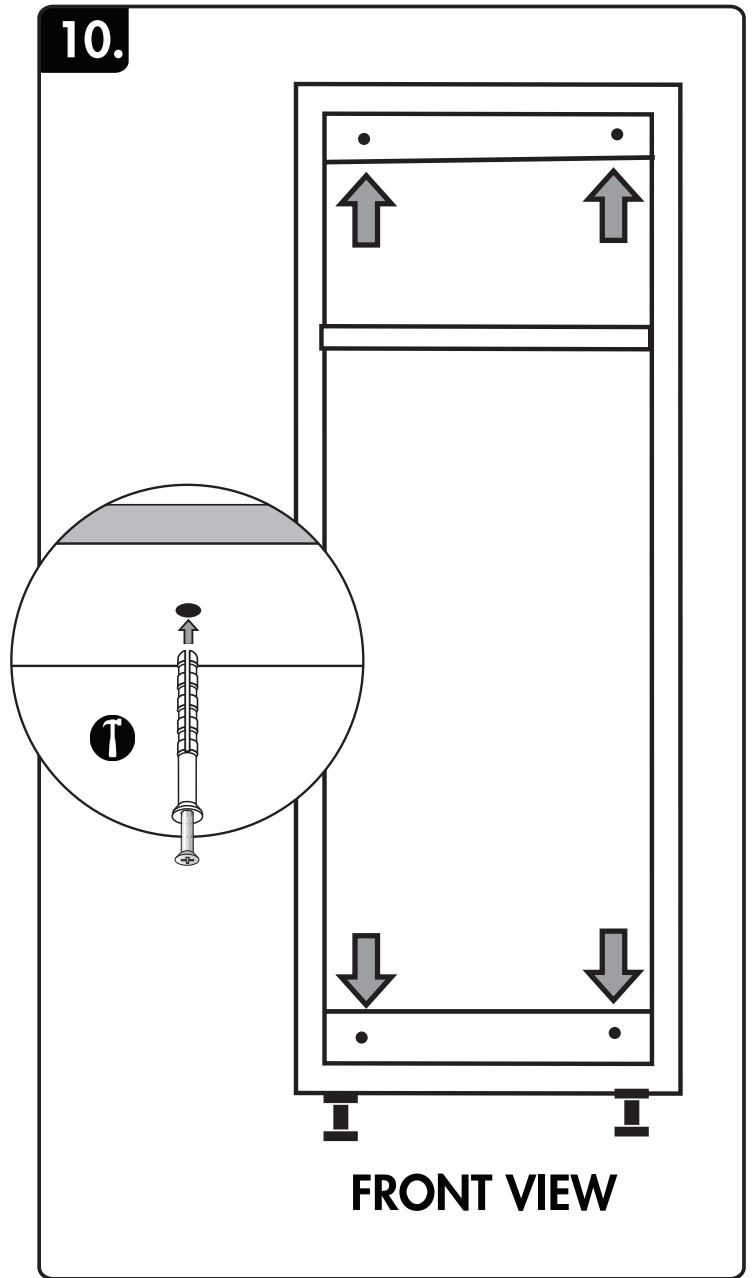


Adjust the other ends of all 6 of the legs until the unit sits level and stable on the ground. Always use a spirit level to ensure cupboard is level when fixing it to the wall. If unit is not level the installation will not be successful.

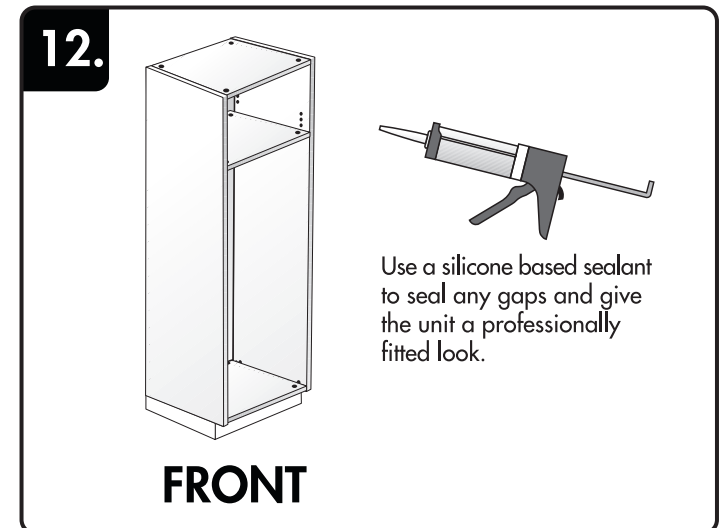


Each leg has a plate on it with a semi-circular clip attached which clips on to the shaft of the leg. Screw the plates onto the corresponding positions on the skirting first and then clip the entire skirting onto the legs.

DISCLAIMER: Due to our policy of constant improvement, specifications may vary without notice.



Place the cupboard in its final position and drill 5 holes for wall plugs – 2 go through the top rail into the wall, 2 in the bottom rail and the last one centered in the middle rail. Insert the wall plug into the holes, and hammer into place.



Unit is complete.