



RTA
READY TO ASSEMBLE

boardprep

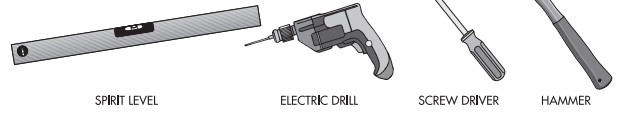
5 Circuit Road Westmead 3608 | Tel: 031 700 3187
Fax: 031 700 3781 | www.boardprep.co.za

EYE LEVEL OVEN UNIT

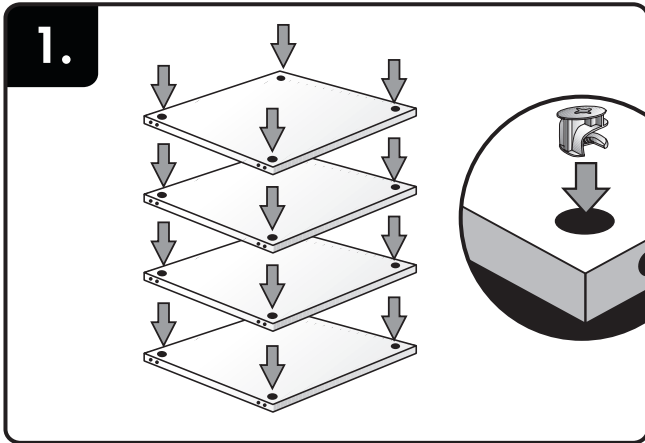
ASSEMBLY INSTRUCTIONS

V001

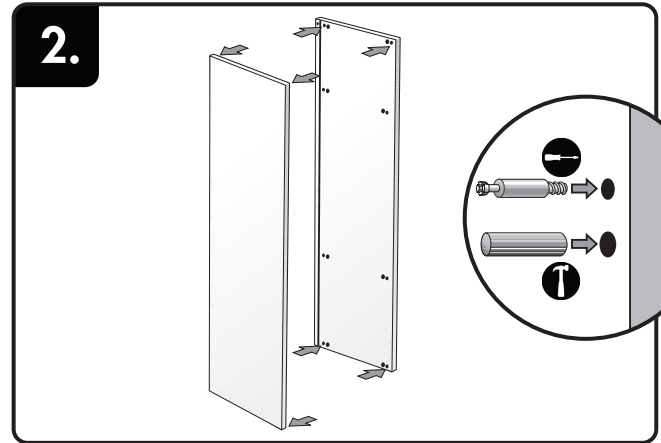
TOOLS REQUIRED:



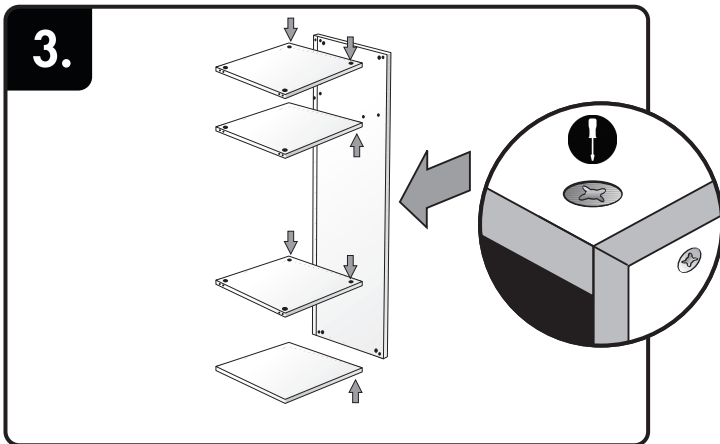
FITTINGS SUPPLIED:



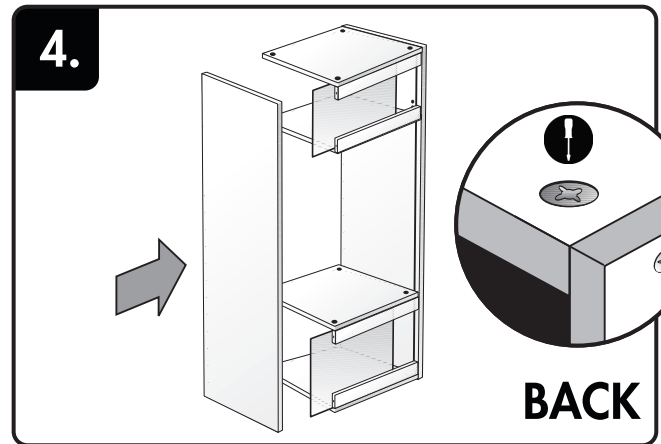
Place cam locks in pre drilled holes.



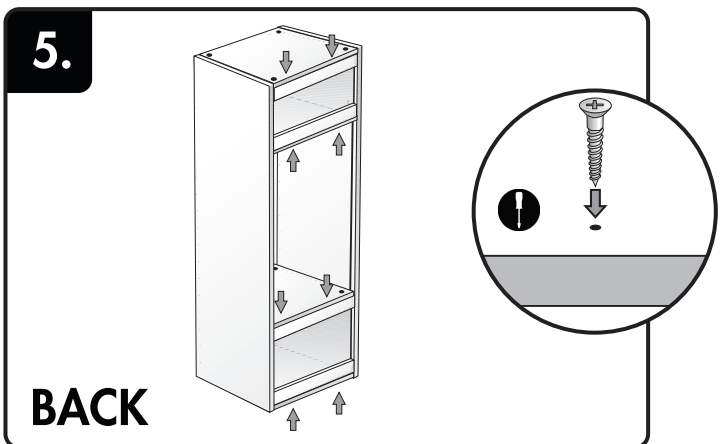
Screw studs and knock dowels into pre drilled holes in side panels.



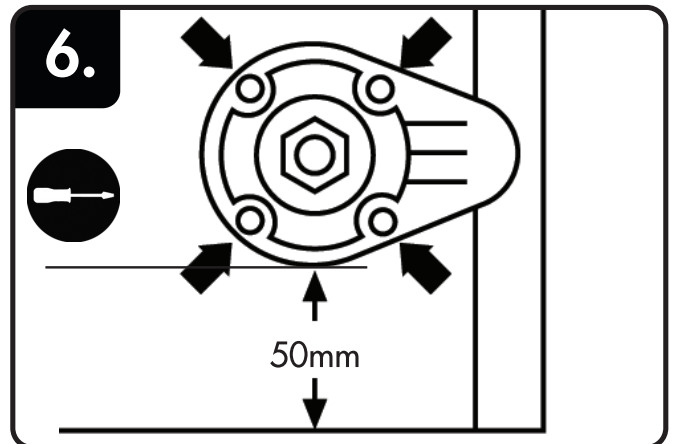
Join side panels to shelves and fasten cam locks.
NB: Unit may be easier to assemble on its side.



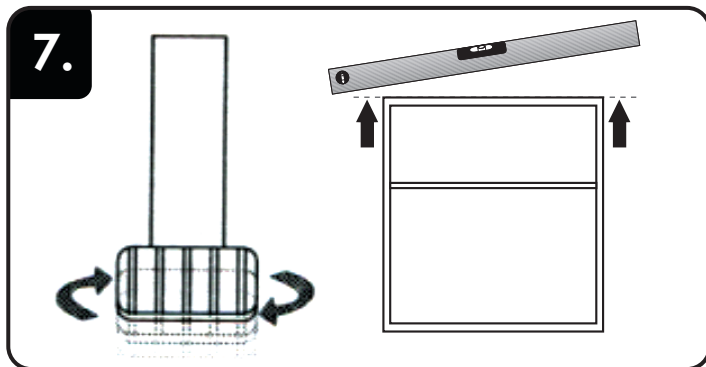
Slide back panels into place and fasten second side panel into place.



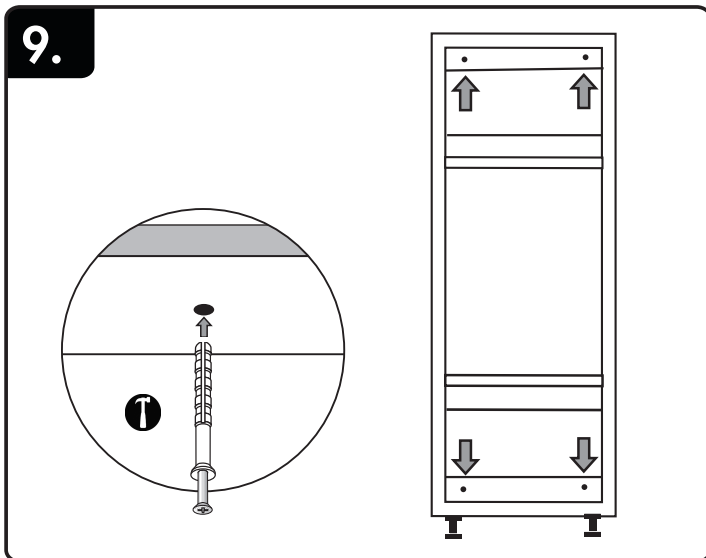
Screw support rails into position.



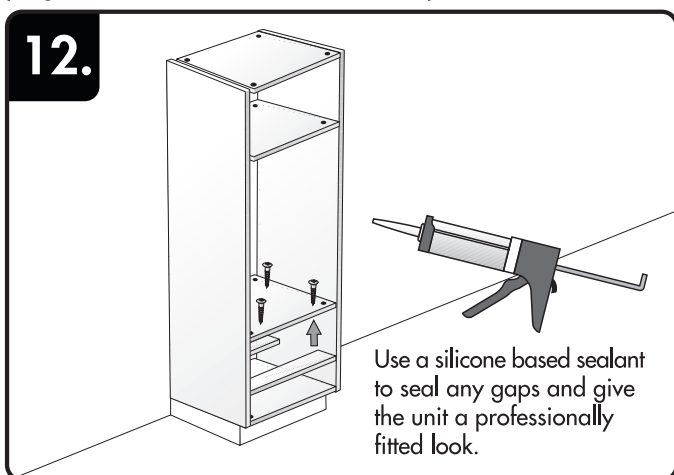
Mark lines along the base 50mm from the front and back of the unit. Line up the base section of the foot with this line and screw in, ensuring the flange goes over the joint with the side panel for added stability. Note that the placement of the base overlapping the side panel does not apply for an exposed side, as it will interfere with the skirting board.



Adjust the other ends of all 6 of the legs until the unit sits level and stable on the ground. Always use a spirit level to ensure cupboard is level when fixing it to the wall. If unit is not level the installation will not be successful.

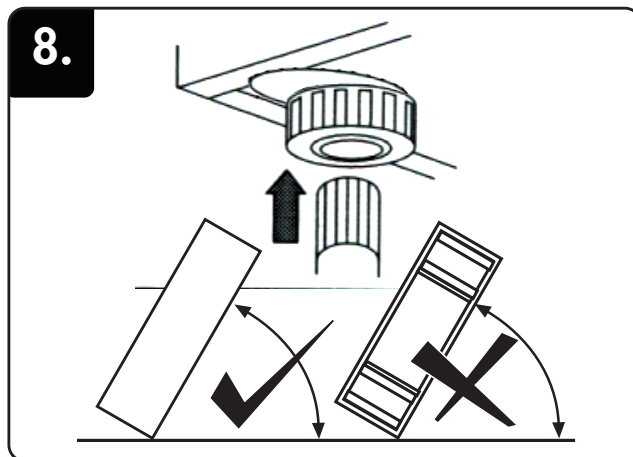


Place the cupboard in its final position and drill 5 holes for wall plugs – 2 go through the top rail into the wall, 2 in the bottom rail and the last one centered in the middle rail. Insert the wall plug into the holes, and hammer into place.

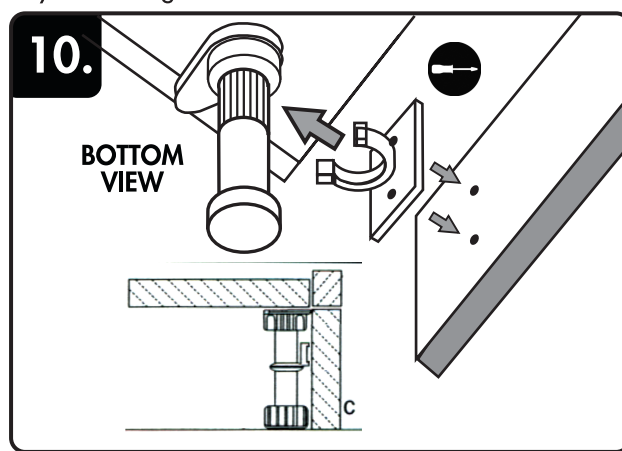


Use a silicone based sealant to seal any gaps and give the unit a professionally fitted look.

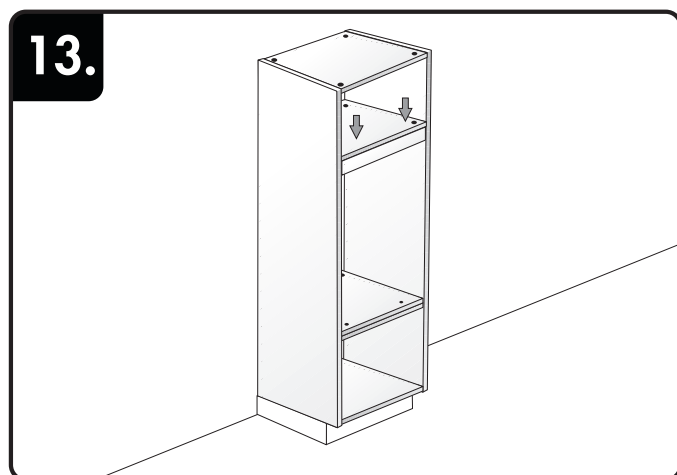
Screw supplementary rails into position.



Insert the rest of the leg into the base section. This will be done as the unit is manoeuvred into position. Care must be taken to use only the front or back leading edge – not the side edges – when raising the unit into position, or it may be damaged.

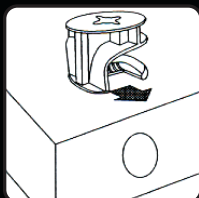


Each leg has a plate on it with a semi-circular clip attached which clips on to the shaft of the leg. Screw the plates onto the corresponding positions on the skirting first and then clip the entire skirting onto the legs.

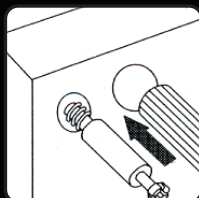


After inserting oven, screw top fascia into place. Unit is now complete.

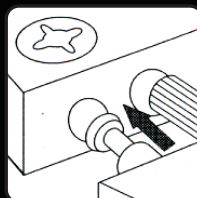
ASSEMBLY HINTS AND TIPS: Using Cam Locks -



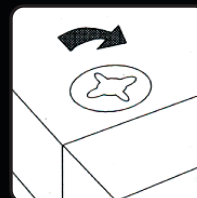
1. Place cam locks in pre drilled holes.



2. Screw studs and press dowels into pre drilled holes in side panels.



3. Join panels, inserting studs and dowels into the corresponding holes.



4. Tighten cam locks in a clockwise direction.