



RTA
READY TO ASSEMBLE

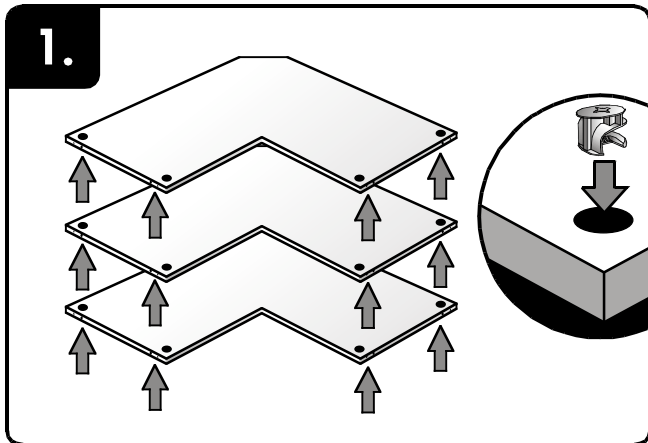
boardprep

5 Circuit Road Westmead 3608 | Tel: 031 700 3187

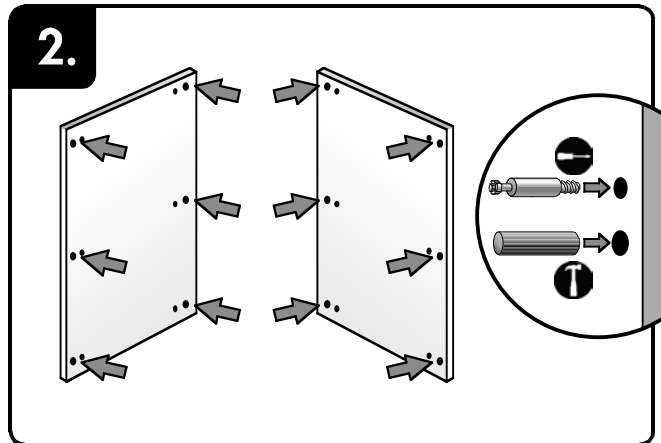
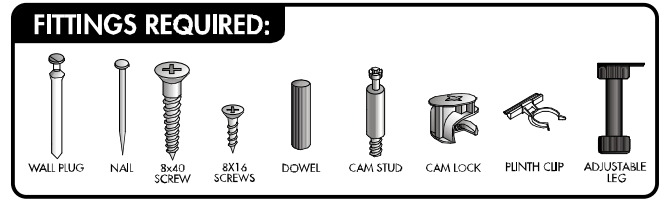
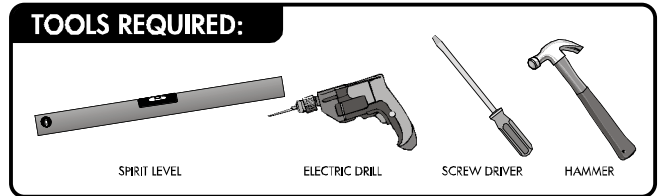
Fax: 031 700 3781 | www.boardprep.co.za

FLOOR CORNER UNIT

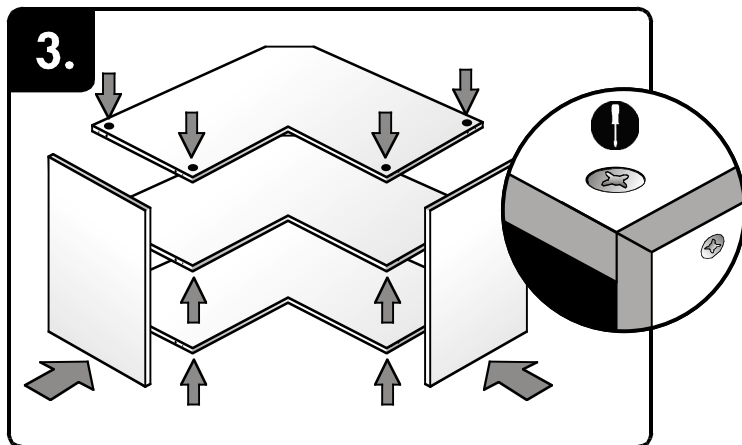
ASSEMBLY INSTRUCTIONS



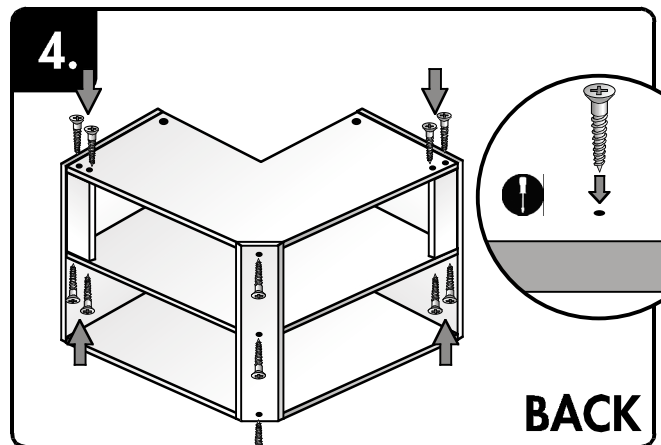
Place cam locks in pre drilled holes.



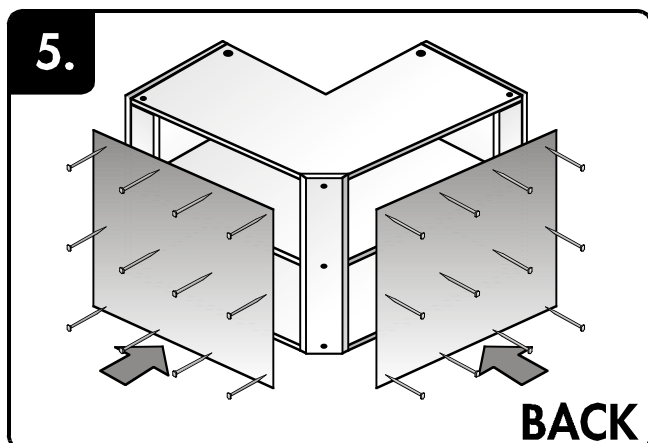
Screw studs and knock dowels into pre drilled holes in side panels.



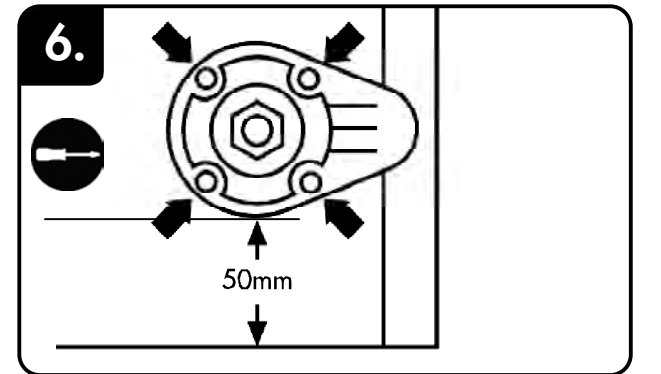
Join side panel and fasten cam locks.



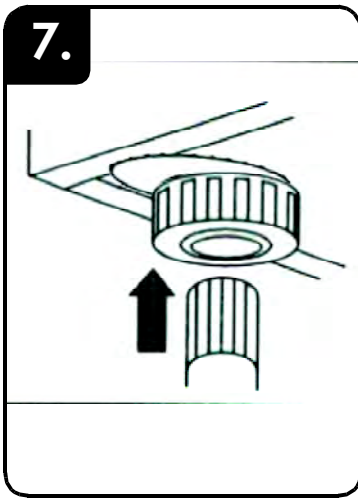
Screw back and support rails into position.



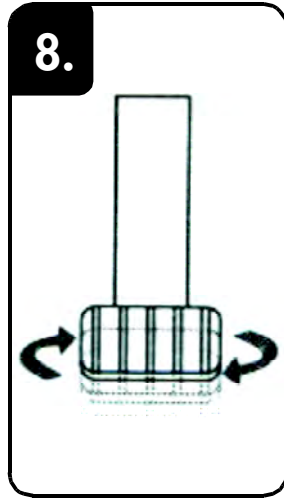
Nail Back panels into place.



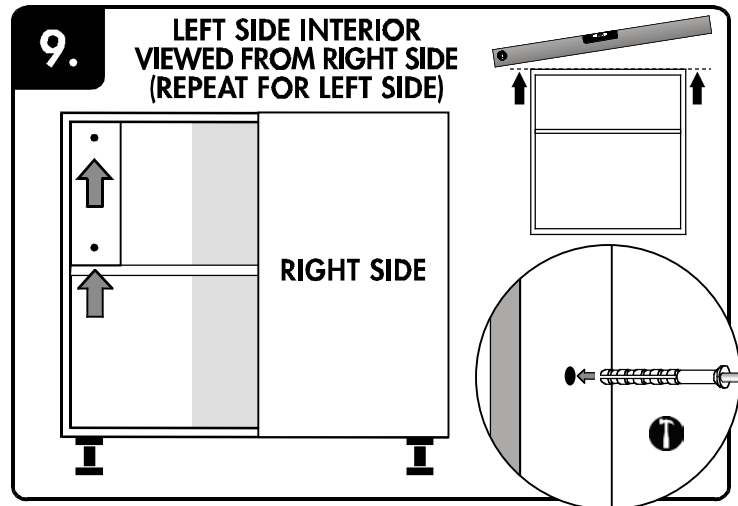
Mark lines along the base 50mm from the front and back of the unit. Line up the base section of the foot with this line and screw in, ensuring the flange goes over the joint with the side panel for added stability. Note that the placement of the base overlapping the side panel does not apply for an exposed side, as it will interfere with the skirting board.



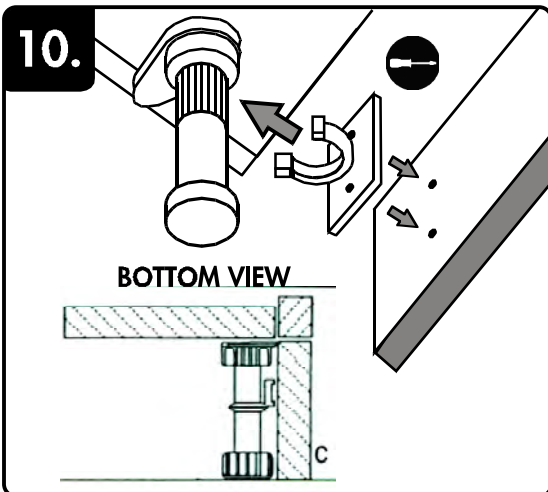
Insert the rest of the leg into the base section.



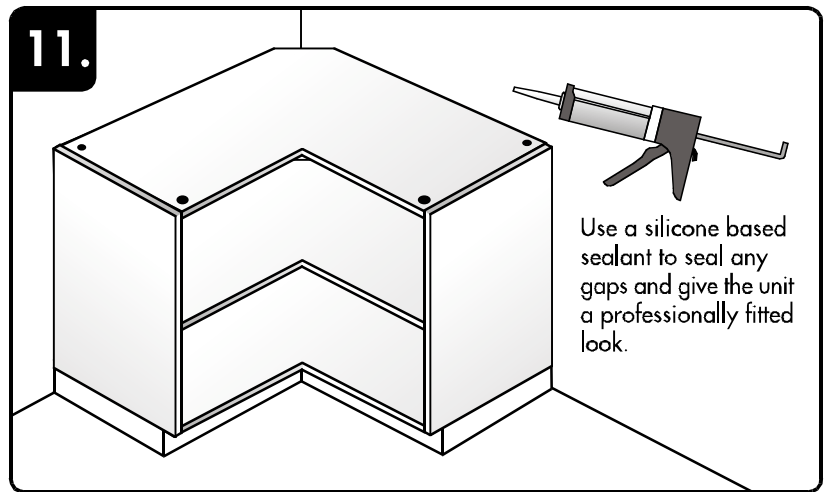
Adjust the other ends of all 4 of the legs until the unit sits level and stable on the ground



Place the cupboard in its final position and drill 4 holes for wall plugs – 2 go through the left support rail into the wall and 2 in the right support rail. Insert the wall plug into the holes, and hammer into place. Always use a spirit level to ensure cupboard is level when fixing it to the wall.



Each leg has a plate on it with a semi-circular clip attached which clips on to the shaft of the leg. Screw the plates onto the corresponding positions on the skirting first and then clip the entire skirting onto the legs.

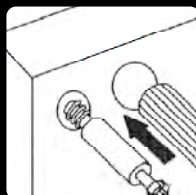


Unit is complete.

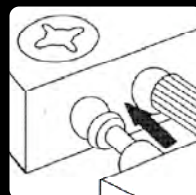
ASSEMBLY HINTS AND TIPS: Using Cam Locks -



1. Place cam locks in pre drilled holes.



2. Screw studs and press dowels into pre drilled holes in side panels.



3. Join panels, inserting studs and dowels into the corresponding holes.



4. Tighten cam locks in a clockwise direction.