



# boardprep

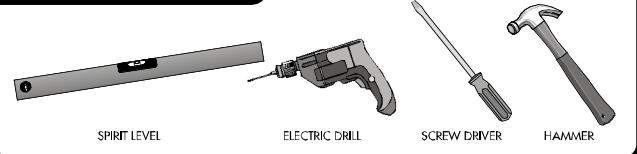
5 Circuit Road Westmead 3608 | Tel: 031 700 3187

Fax: 031 700 3781 | www.boardprep.co.za

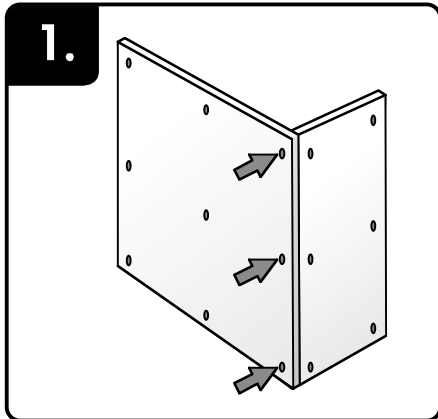
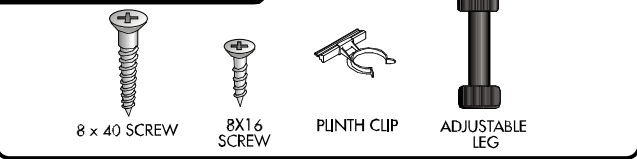
## FLOOR END DISPLAY UNIT

### ASSEMBLY INSTRUCTIONS

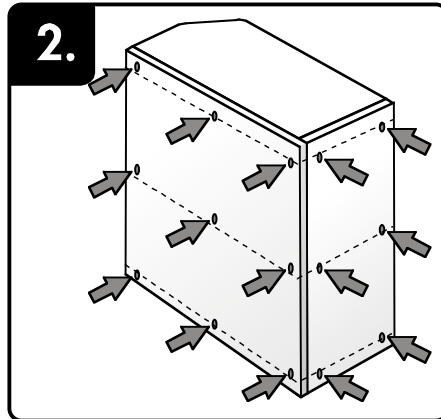
#### TOOLS REQUIRED:



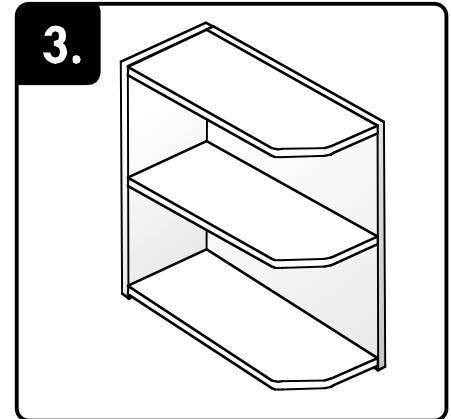
#### FITTINGS REQUIRED:



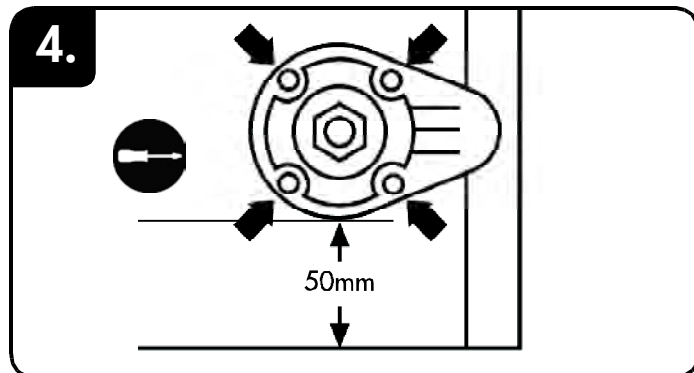
1. Join perpendicular panels and screw them together.



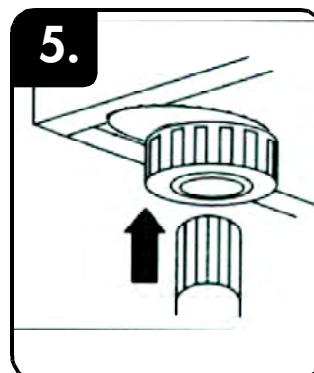
2. Attach shelves to perpendicular sides and screw them in place.



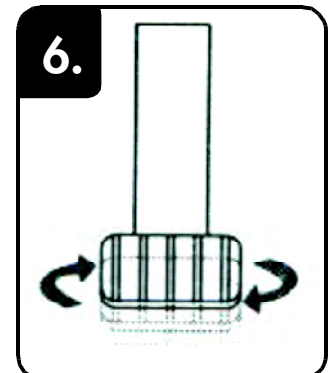
3. Unit is complete.



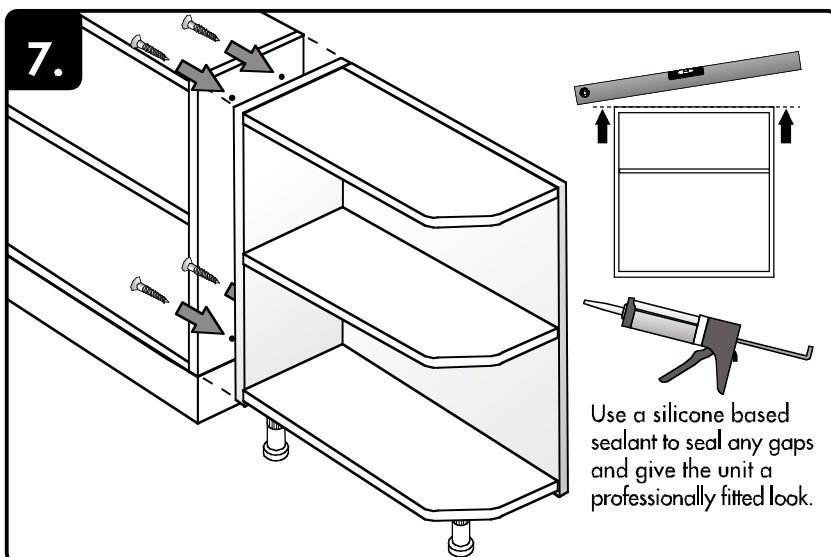
4. Mark lines along the base 50mm from the front and back of the unit. Line up the base section of the foot with this line and screw in, ensuring the flange goes over the join with the side panel for added stability.



5. Adjust the other ends of all 3 of the legs until the unit sits level and stable on the ground

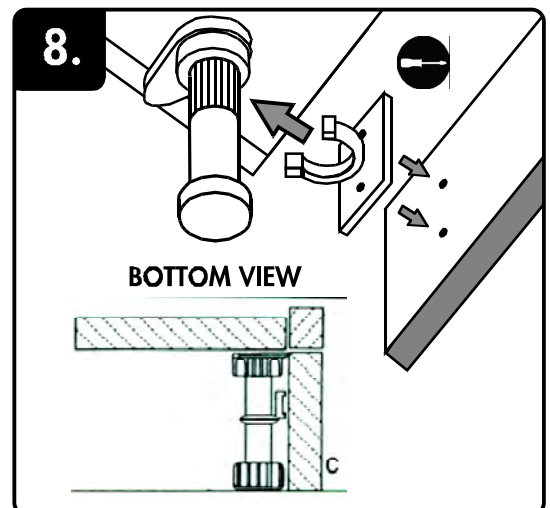


6. Adjust the other ends of all 6 of the legs until the unit sits level and stable on the ground



7. Place the cupboard in its final position and screw the unit into position so that it attaches flush to its adjacent unit. Always use a spirit level to ensure unit is level when fixing it to the adjacent unit.

Use a silicone based sealant to seal any gaps and give the unit a professionally fitted look.



8. Each leg has a plate on it with a semi-circular clip attached which clips on to the shaft of the leg. Screw the plates onto the corresponding positions on the skirting first and then clip the entire skirting onto the legs. Unit is complete.