



# boardprep

5 Circuit Road Westmead 3608 | Tel: 031 700 3187

Fax: 031 700 3781 | www.boardprep.co.za

## SPICE RACK PULL-OUT UNIT

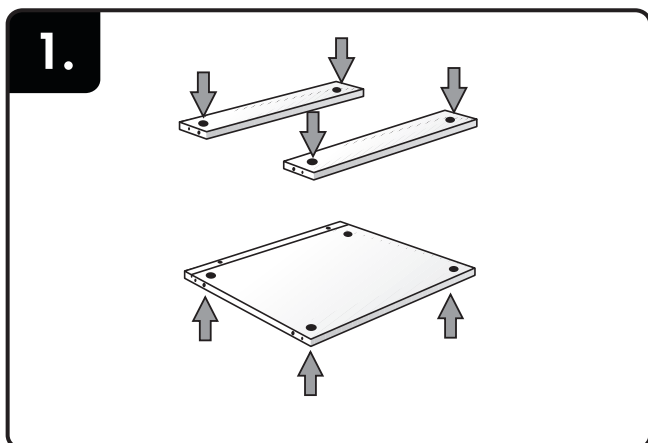
### ASSEMBLY INSTRUCTIONS

**TOOLS REQUIRED:**

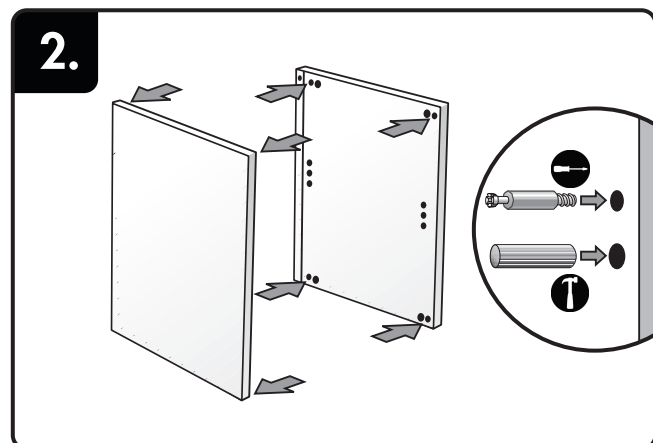
SPIRIT LEVEL      ELECTRIC DRILL      SCREW DRIVER      HAMMER

**FITTINGS REQUIRED:**

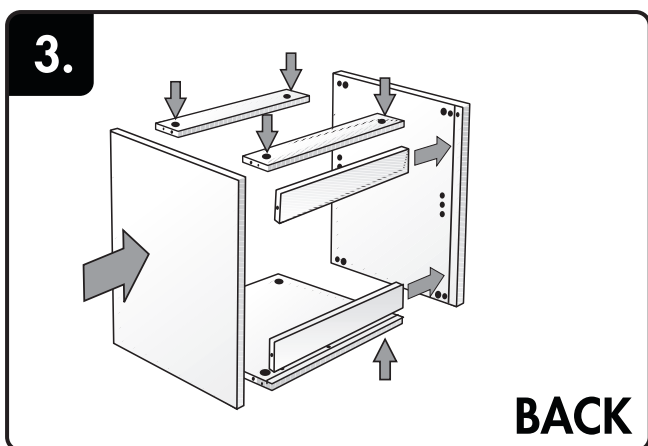
WALL PLUG      8X40 SCREW      DOWEL      CAM STUD      CAM LOCK      8X16 SCREW      EURO SCREW      PLINTH CUP      ADJUSTABLE LEG      SPICE RACKS



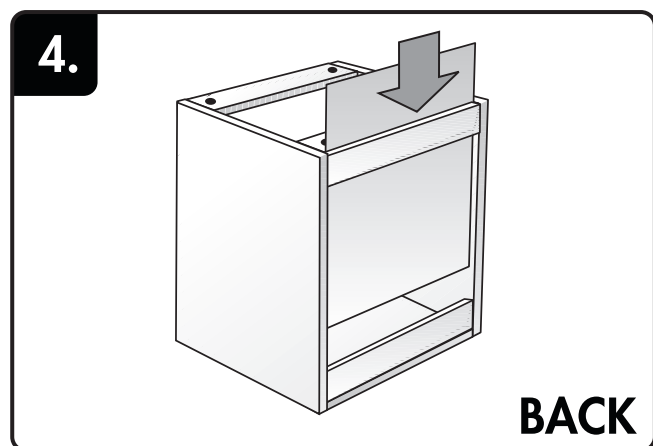
Place cam locks in pre drilled holes.  
(See assembly hints on last page)



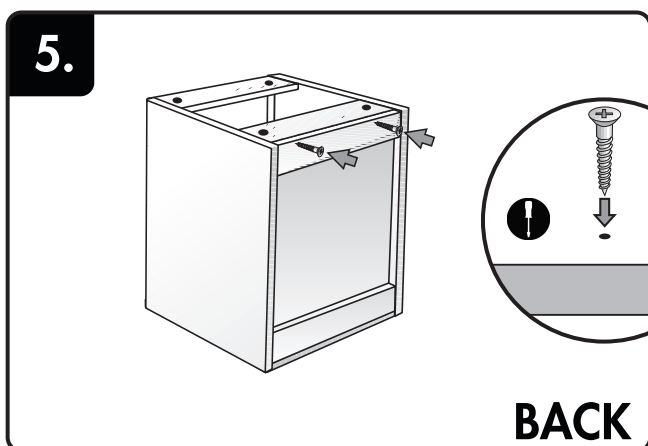
Screw studs and press dowels into pre drilled holes  
In side panels.



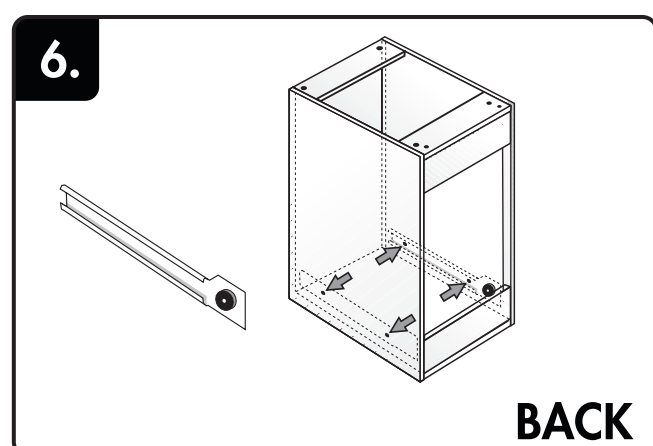
Join side panel and support rails then fasten cam locks.



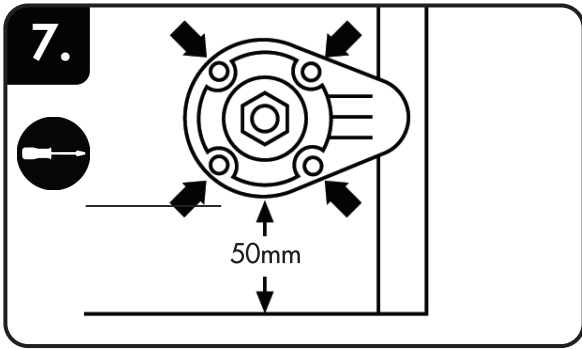
Slide back panel into position ensuring that the finished side is facing inwards.



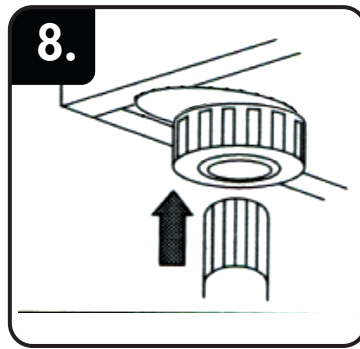
Screw support rails into position.



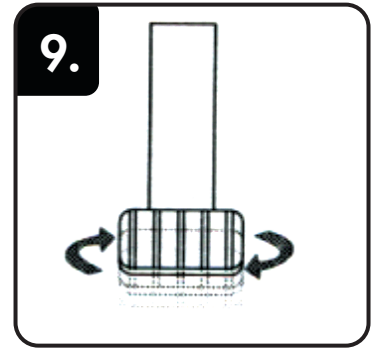
Fit runner tracks to inside of side panels in pre-drilled holes. Fit feet.



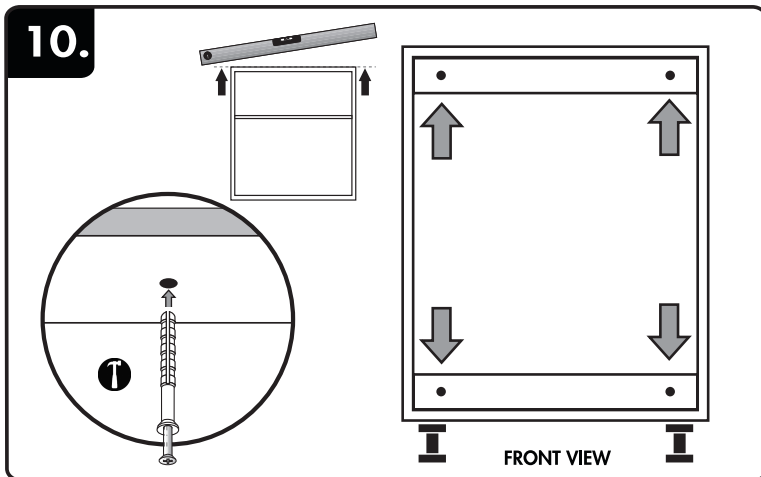
Mark lines along the base 50mm from the front and back of the unit. Line up the base section of the foot with this line and screw in, ensuring the flange goes over the join with the side panel for added stability. Note that the placement of the base overlapping the side panel does not apply for an exposed side, as it will interfere with the skirting board.



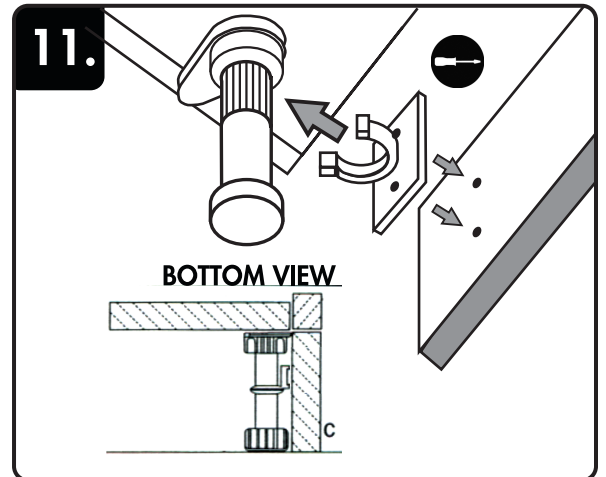
Adjust the other ends of all 6 of the legs until the unit sits level and stable on the ground



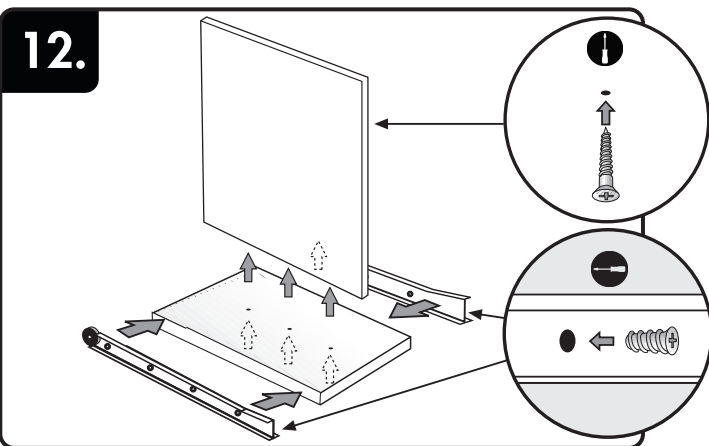
Adjust the other ends of all 6 of the legs until the unit sits level and stable on the ground



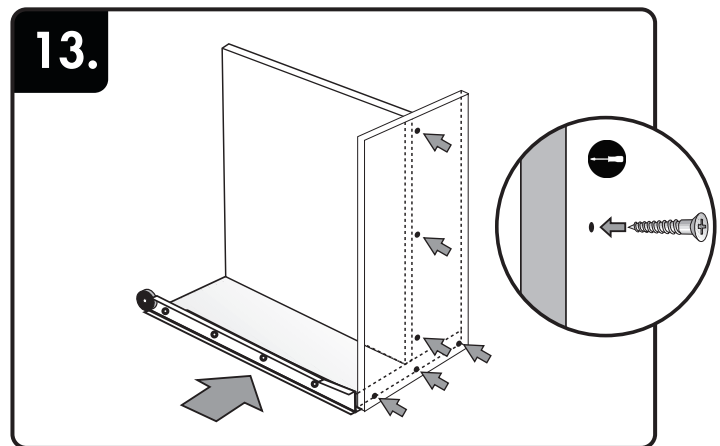
Place the cupboard in its final position and drill 4 holes for wall plugs – 2 go through the top rail into the wall and 2 in the bottom rail. Insert the wall plug into the holes, and hammer into place. Always use a spirit level to ensure cupboard is level when fixing it to the wall.



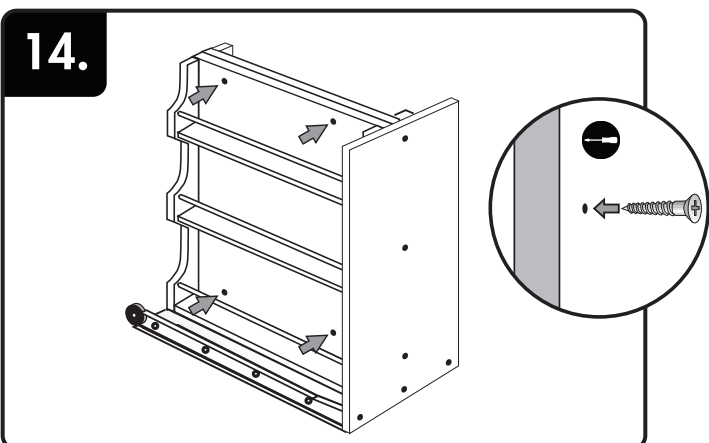
Each leg has a plate on it with a semi-circular clip attached which clips on to the shaft of the leg. Screw the plates onto the corresponding positions on the skirting board first and then clip the entire skirting onto the legs.



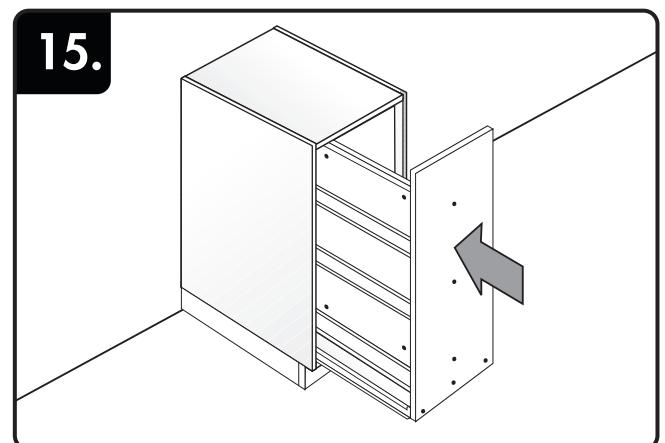
Screw fix runners to base using screws in pre-drilled holes. Screw fix centre division with larger screws in pre-drilled holes.



Screw fix end panel to end of centre division and base using screws in pre-drilled holes.



Screw fix vacuum formed spice rack to centre division using screws in pre-drilled holes.



Insert drawer unit into frame (?) unit on runners. **Unit is complete**