

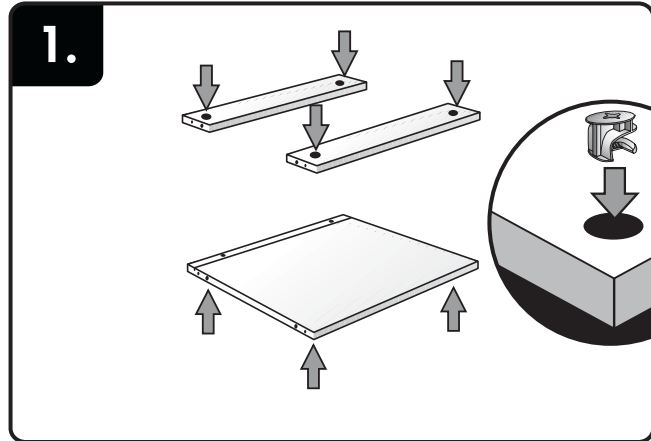


boardprep

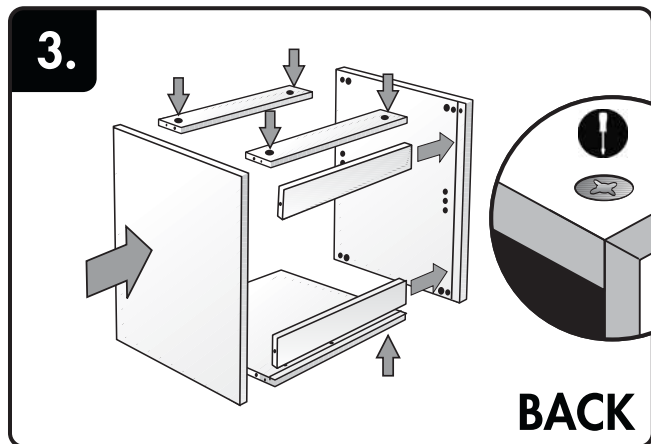
5 Circuit Road Westmead 3608 | Tel: 031 700 3187
 Fax: 031 700 3781 | www.boardprep.co.za

TILT BIN UNIT

ASSEMBLY INSTRUCTIONS

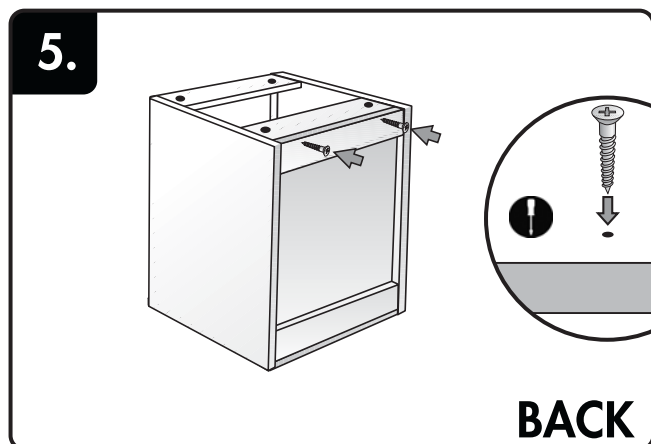


Place cam locks in pre drilled holes.
 (See assembly hints on last page)



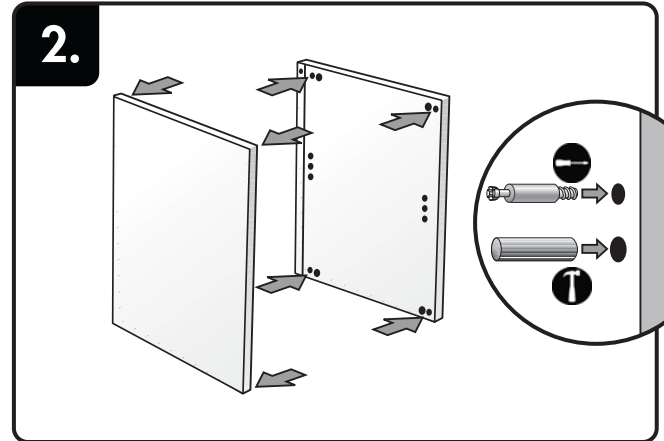
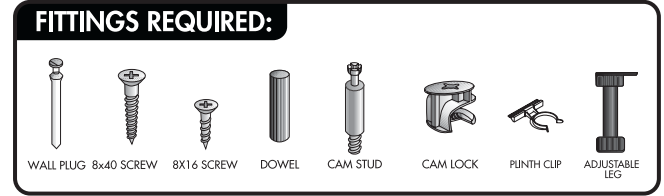
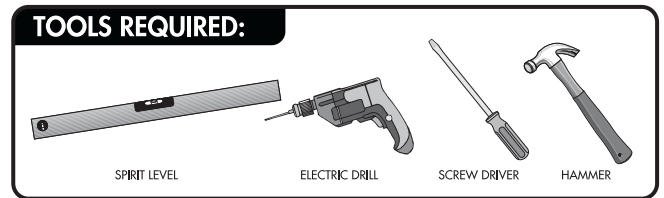
BACK

Join side panel and support rails then fasten cam locks.

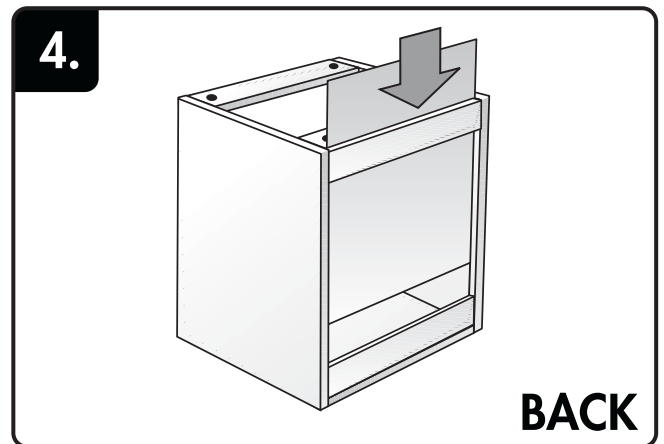


BACK

Screw support rails into position.

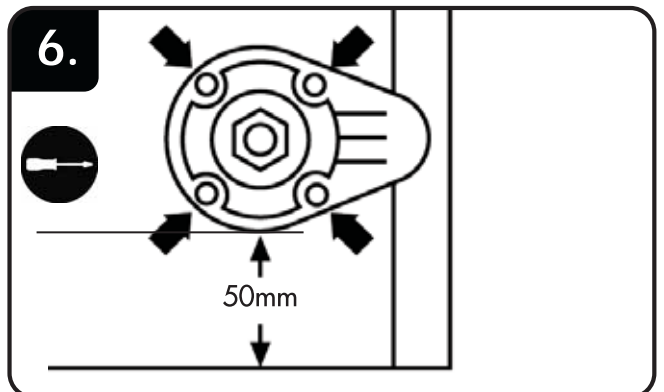


Screw studs and press dowels into pre drilled holes
 In side panels.

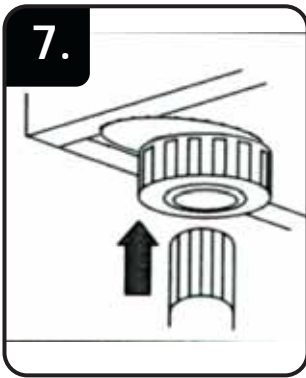


BACK

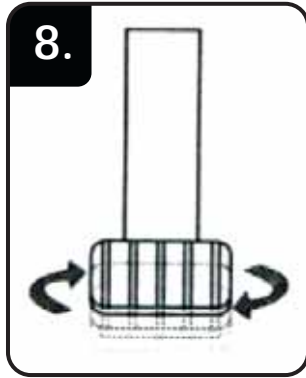
Slide back panel into position ensuring that the finished side is facing inwards.



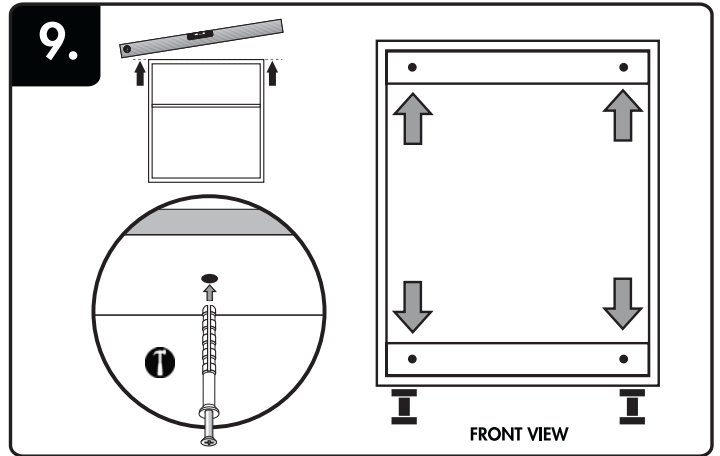
Mark lines along the base 50mm from the front and back of the unit. Line up the base section of the foot with this line and screw in, ensuring the flange goes over the join with the side panel for added stability. Note that the placement of the base overlapping the side panel does not apply for an exposed side, as it will interfere with the skirting board.



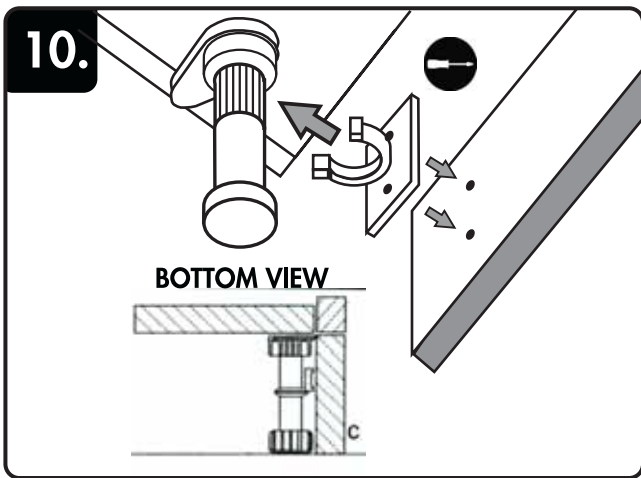
7. Adjust the other ends of all 6 of the legs until the unit sits level and stable on the ground



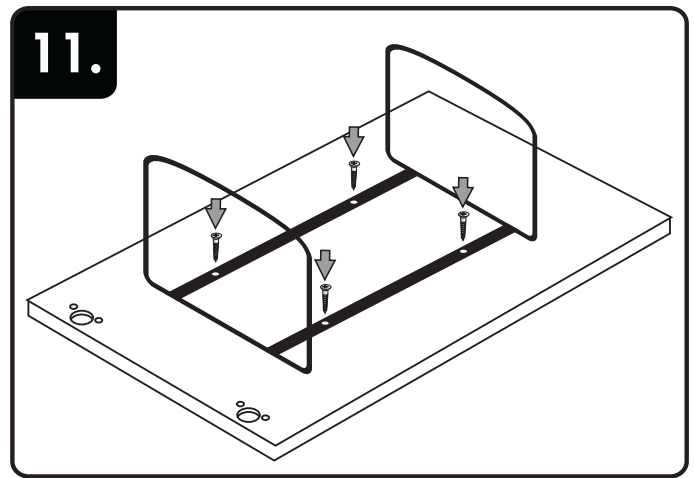
8. Adjust the other ends of all 6 of the legs until the unit sits level and stable on the ground



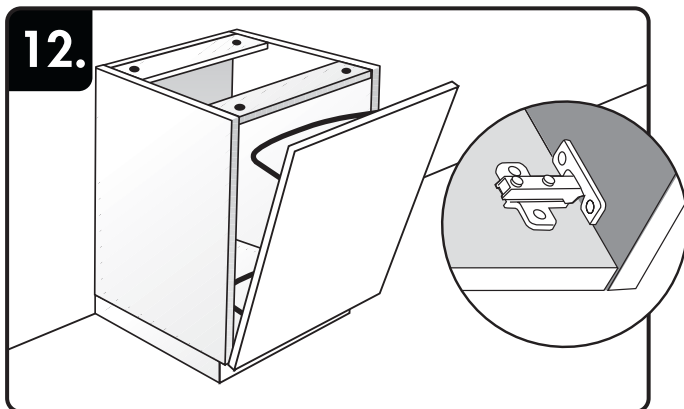
9. Place the cupboard in its final position and drill 4 holes for wall plugs – 2 go through the top rail into the wall and 2 in the bottom rail. Insert the wall plug into the holes, and hammer into place. Always use a spirit level to ensure cupboard is level when fixing it to the wall.



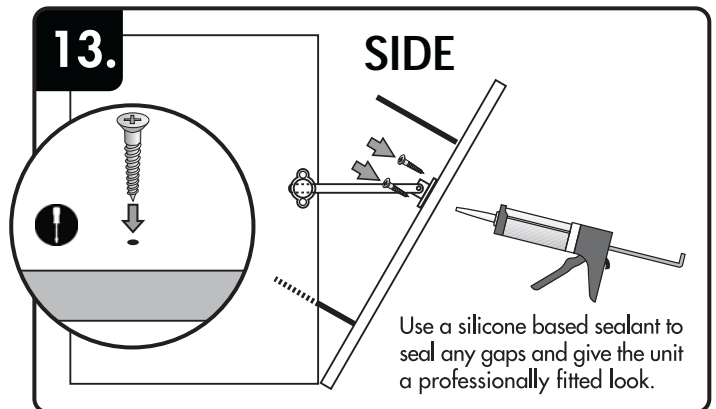
10. Each leg has a plate on it with a semi-circular clip attached which clips on to the shaft of the leg. Screw the plates onto the corresponding positions on the skirting first and then clip the entire skirting onto the legs.



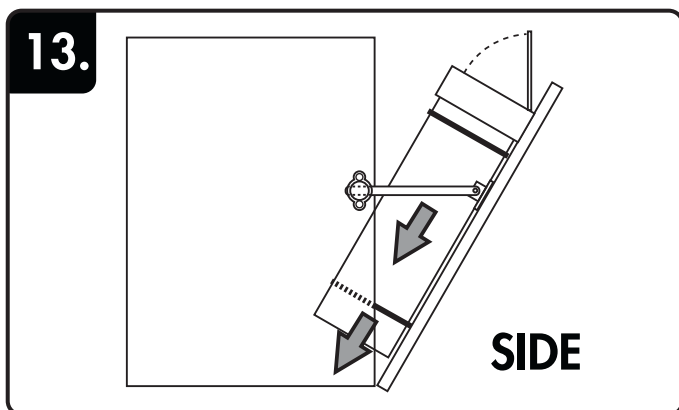
11. Attach bin cage to inside of door using screws.



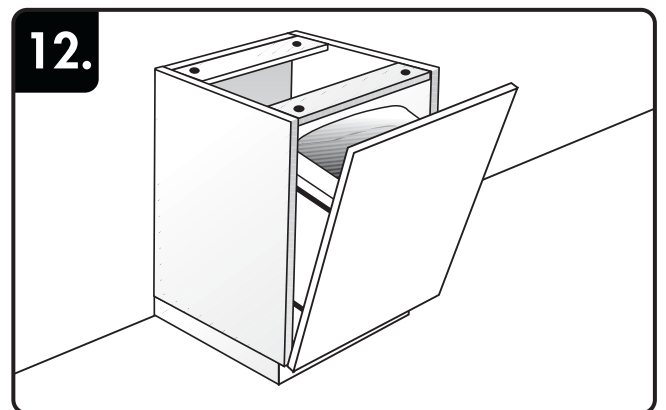
12. Attach door to unit with hinges, using screws.



13. Connect unit and door with sliding braces (2).
Use a silicone based sealant to seal any gaps and give the unit a professionally fitted look.



13. Insert bin.



12. Unit is complete.