



boardprep

5 Circuit Road Westmead 3608 | Tel: 031 700 3187
 Fax: 031 700 3781 | www.boardprep.co.za

TRAY UNIT

ASSEMBLY INSTRUCTIONS

TOOLS REQUIRED:

SPIRIT LEVEL ELECTRIC DRILL SCREW DRIVER HAMMER

FITTINGS REQUIRED:

WALL PLUG 8x40 SCREW DOWEL CAM STUD CAM LOCK 8x16 SCREWS PLINTH CLIP ADJUSTABLE LEG

1.

Place cam locks in pre drilled holes, grooves facing inward.

2.

BACK

Screw studs and press dowels into pre drilled holes in side panels.

3.

BACK

Join side panel and support rails then fasten cam locks.

5.

BACK

Slide back panel into position ensuring that the finished side is facing inward.

5.

BACK

Screw support rails into position.

7.

50mm

Mark lines along the base 50mm from the front and back of the unit. Line up the base section of the foot with this line and screw in, ensuring the flange goes over the joint with the side panel for added stability. Note that the placement of the base overlapping the side panel does not apply for an exposed side, as it will interfere with the skirting board.

7.

Adjust the other ends of all 6 of the legs until the unit sits level and stable on the ground

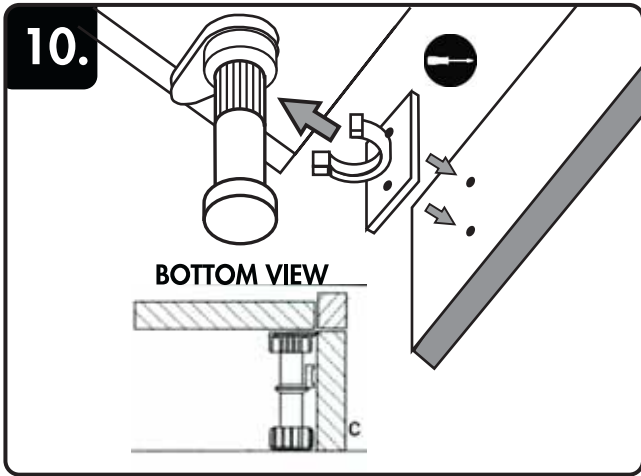
8.

Adjust the other ends of all 6 of the legs until the unit sits level and stable on the ground

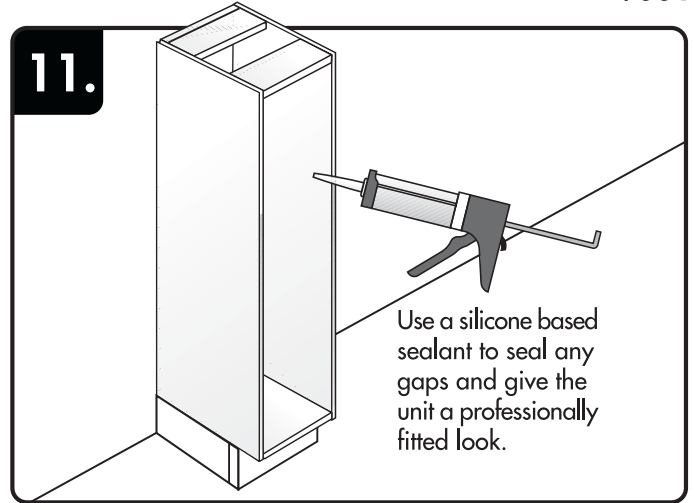
9.

FRONT VIEW

Place the cupboard in its final position and drill 4 holes for wall plugs – 2 go through the top rail into the wall and 2 in the bottom rail. Insert the wall plug into the holes, and hammer into place. Always use a spirit level to ensure cupboard is level when fixing it to the wall.



Each leg has a plate on it with a semi-circular clip attached which clips on to the shaft of the leg. Screw the plates onto the corresponding positions on the skirting first and then clip the entire skirting onto the legs.



Slide shelves into position and press down to lock over studs in side panels. **Unit is complete.**

ASSEMBLY HINTS AND TIPS: Using Cam Locks -



1. Place cam locks in pre drilled holes.



2. Screw studs and press dowels into pre drilled holes in side panels.



3. Join panels, inserting studs and dowels into the corresponding holes.



4. Tighten cam locks in a clockwise direction.