



# boardprep

5 Circuit Road Westmead 3608 | Tel: 031 700 3187  
Fax: 031 700 3781 | www.boardprep.co.za

## VEGETABLE BASKET UNIT

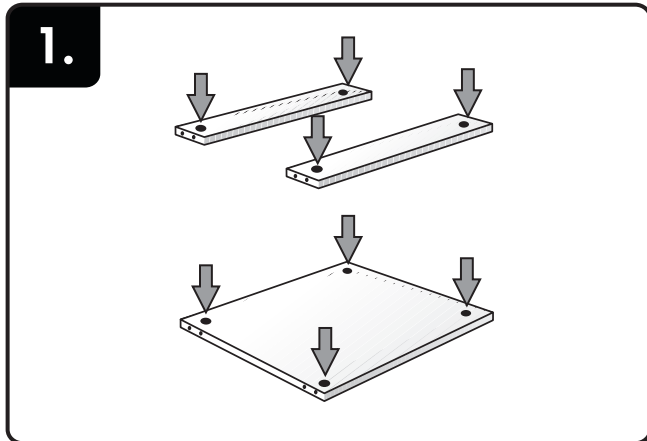
### ASSEMBLY INSTRUCTIONS

**TOOLS REQUIRED:**

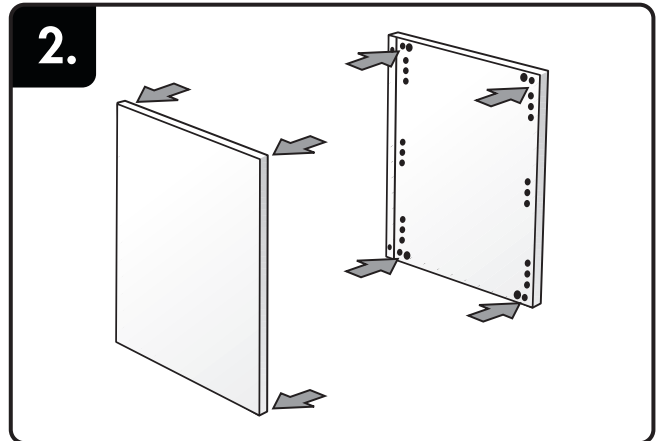
SPIRIT LEVEL      ELECTRIC DRILL      SCREW DRIVER      HAMMER

**FITTINGS REQUIRED:**

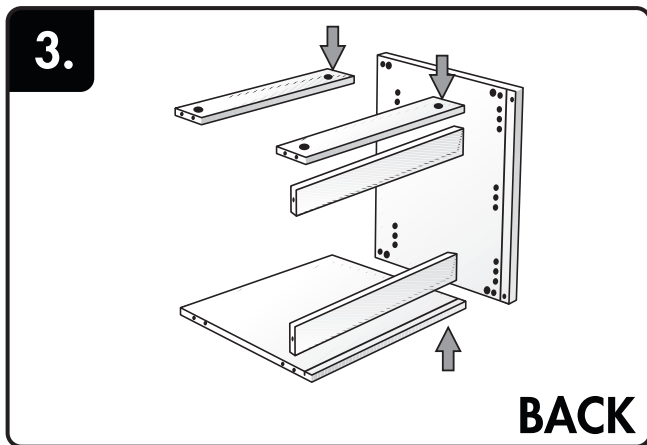
WALL PLUG   BASKET & RUNNER   8X16 SCREWS   8x40 SCREW   EURO SCREW   DOWEL   CAM STUD   CAM LOCK   PINTH CLIP   ADJUSTABLE SPACERS LEG



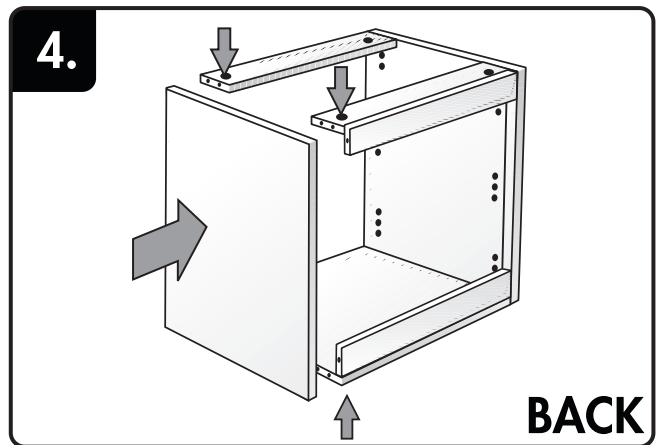
Place cam locks in pre drilled holes.



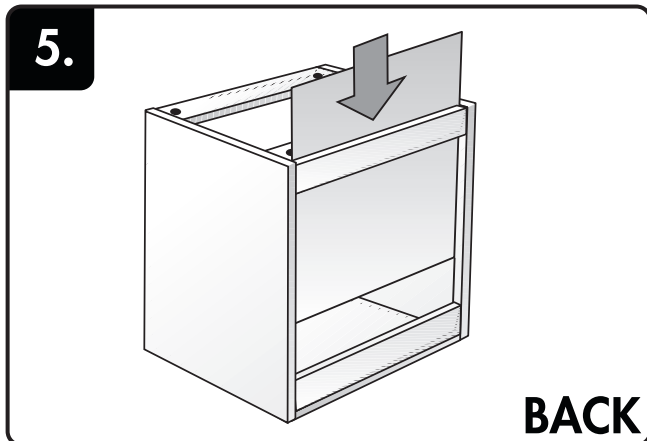
Screw studs and knock dowels into pre drilled holes in side panels.



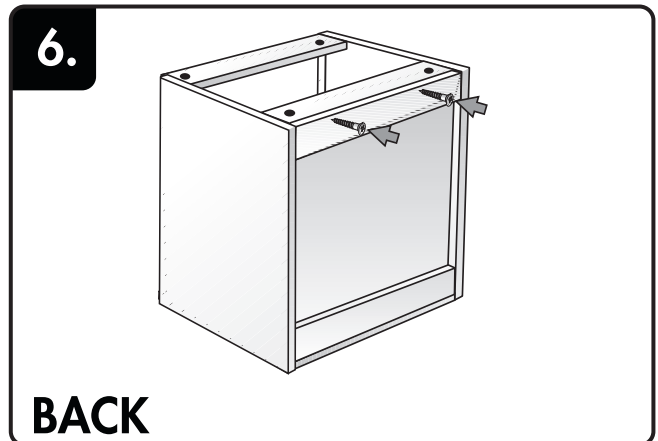
Insert support rails into position using the dowels provided. Join side panel and fasten cam locks.



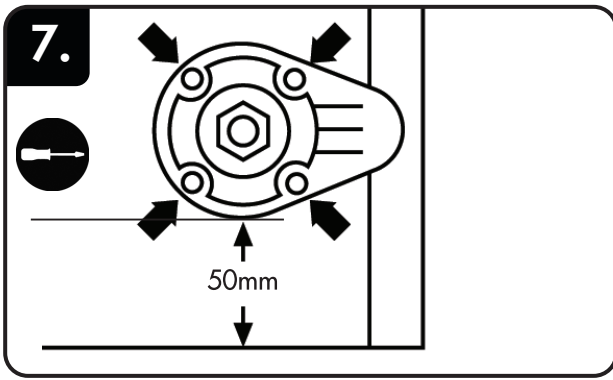
Join second side panel and fasten cam locks.



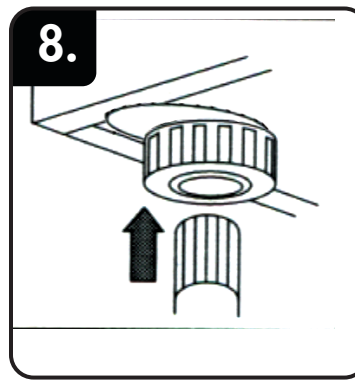
Slide back panel into position finished side facing inwards.



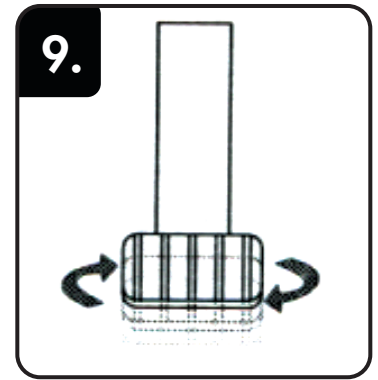
Screw back support rails into position using screws provided then screw leg supports into base.



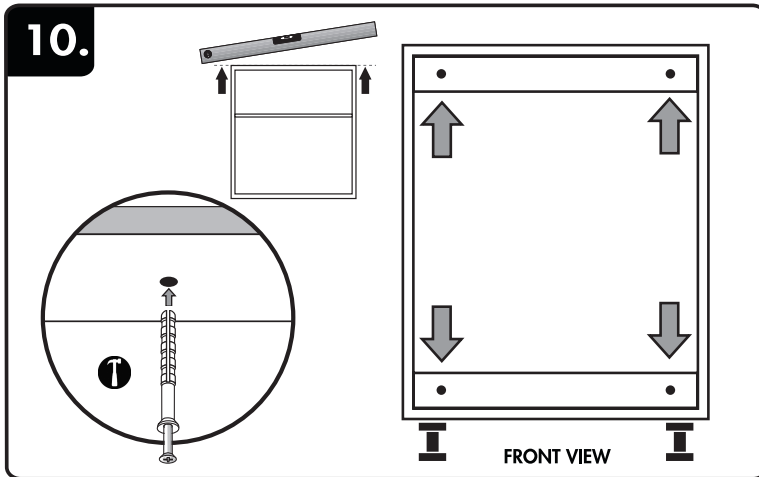
Mark lines along the base 50mm from the front and back of the unit. Line up the base section of the foot with this line and screw in, ensuring the flange goes over the join with the side panel for added stability. Note that the placement of the base overlapping the side panel does not apply for an exposed side, as it will interfere with the skirting board.



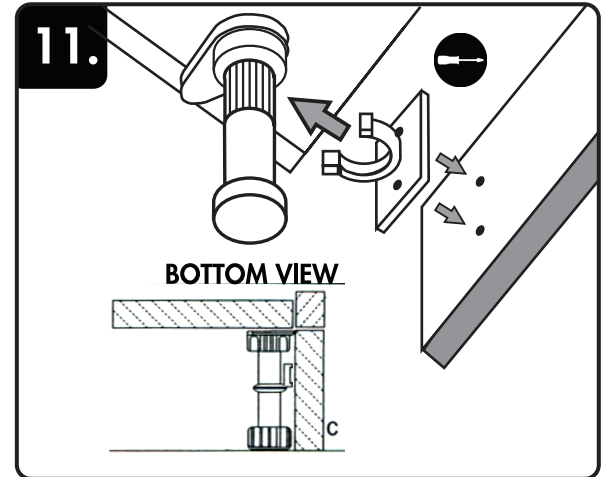
Adjust the other ends of all 6 of the legs until the unit sits level and stable on the ground



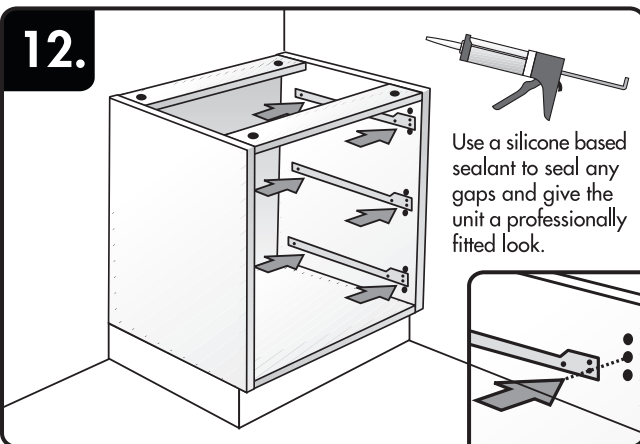
Adjust the other ends of all 6 of the legs until the unit sits level and stable on the ground



Place the cupboard in its final position and drill 4 holes for wall plugs – 2 go through the top rail into the wall and 2 in the bottom rail. Insert the wall plug into the holes, and hammer into place. Always use a spirit level to ensure cupboard is level when fixing it to the wall.

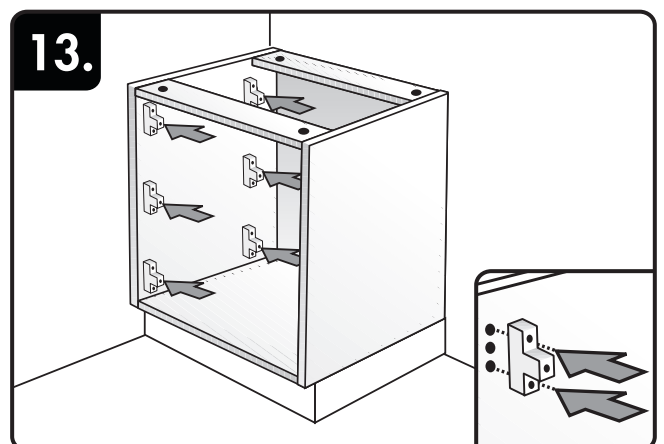


Each leg has a plate on it with a semi-circular clip attached which clips on to the shaft of the leg. Screw the plates onto the corresponding positions on the skirting first and then clip the entire skirting onto the legs.

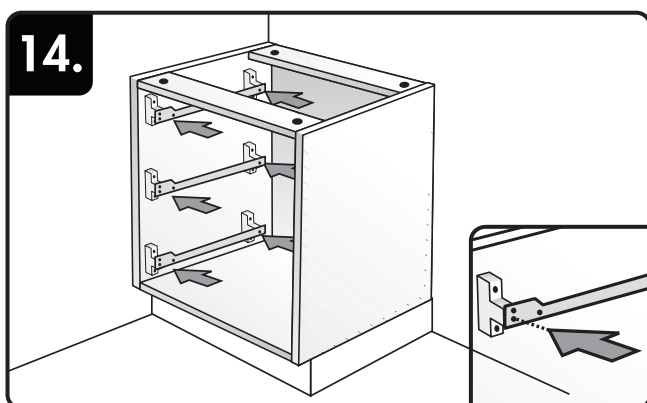


Use a silicone based sealant to seal any gaps and give the unit a professionally fitted look.

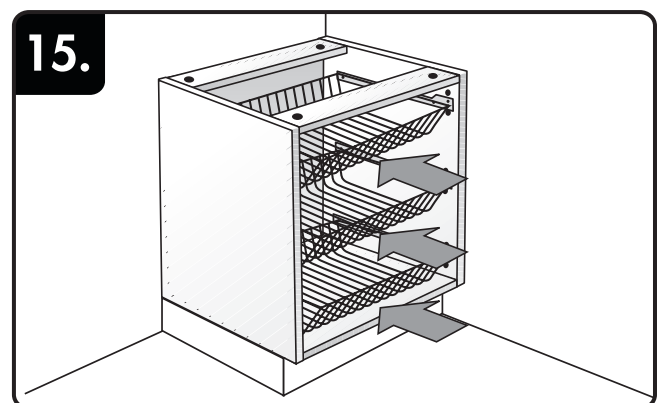
Screw drawer runners into place on the non hinge side. Ensure that the runner sits on the centre holes. NB: Use Euro screws for this step.



Screw spacers into hinge side of the unit. Make sure that the spacers sit on the outside holes. NB: Spacers are on hinge side (Use 8x16 screws for this step).



Screw Drawer runners into spacers on hinge side. NB: Use Euro screws for this step.



Insert baskets.