



RTA
READY TO
ASSEMBLE

boardprep

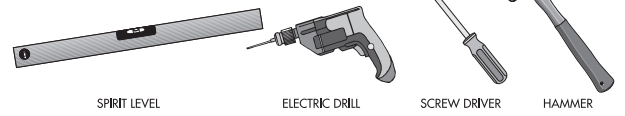
5 Circuit Road Westmead 3608 | Tel: 031 700 3187
Fax: 031 700 3781 | www.boardprep.co.za

WALK IN PANTRY UNIT

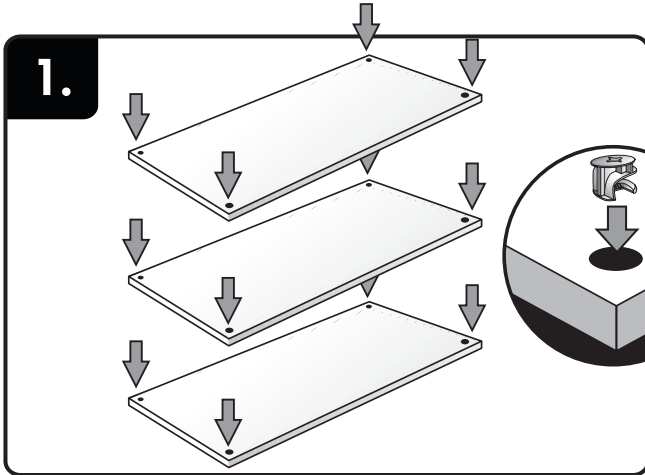
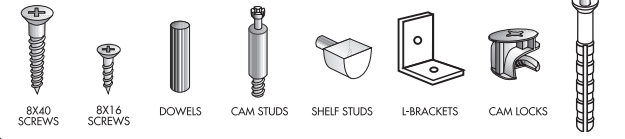
ASSEMBLY INSTRUCTIONS

V001

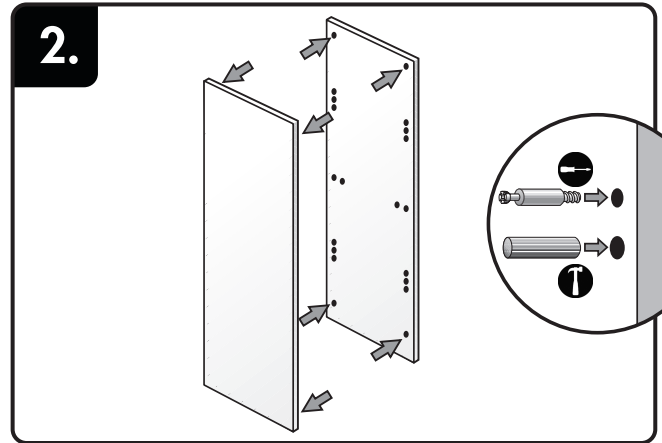
TOOLS REQUIRED:



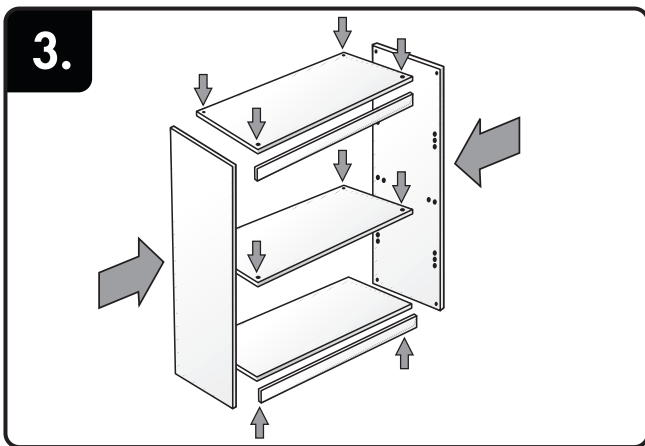
FITTINGS SUPPLIED:



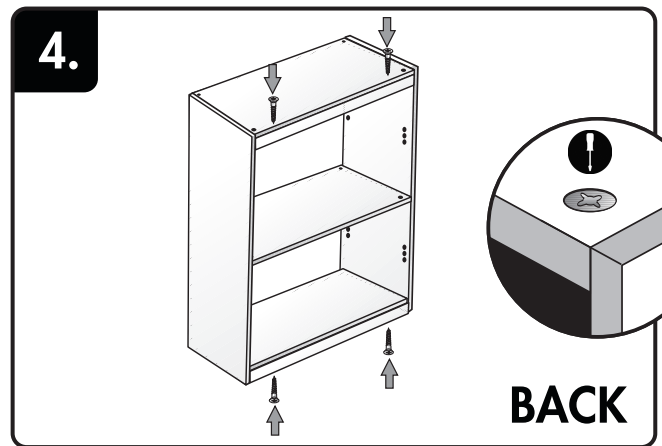
NB: Build the two interior shelving units first.
Place cam locks in pre drilled holes.



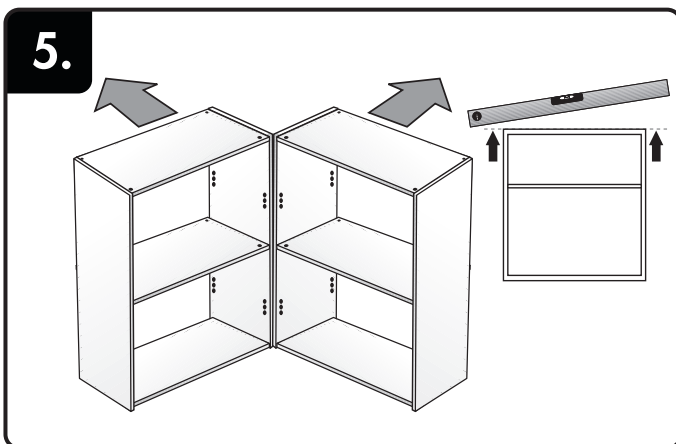
Screw studs and press dowels into pre drilled holes
In side panels.



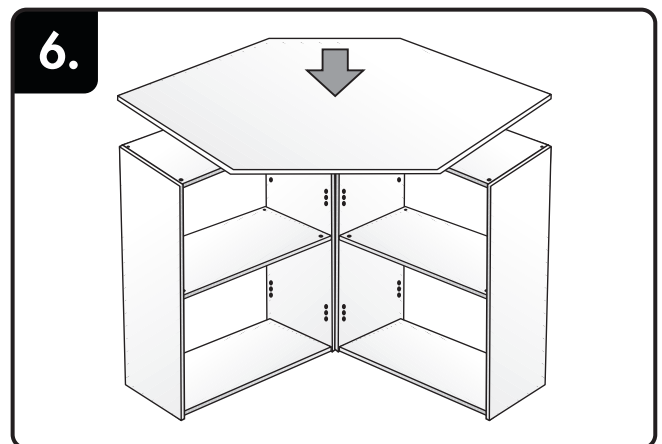
Join side panels and support rails then fasten cam locks.



Screw support rails into position.



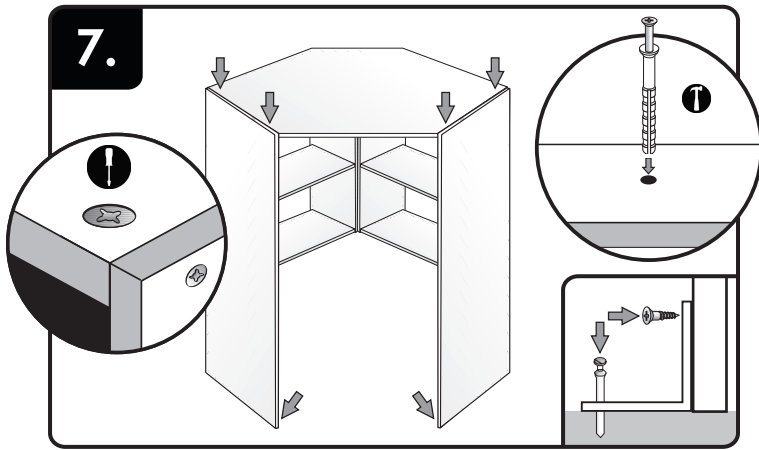
Fix support rails to the walls using wall plugs.
NB: It is critical that the units are level.



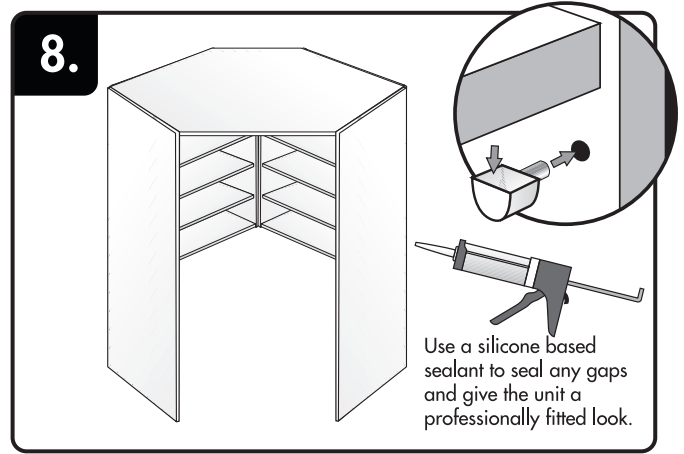
Place top panel on top of the boxes.
NB: Boxes need to sit 16mm below the side panels
as top panel sits in between the side panels.

WALK IN PANTRY UNIT (CONTD)

V001



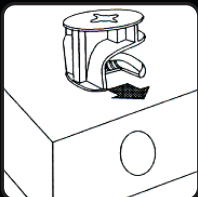
Join Side panels and tighten cam locks. Use the brackets to secure the side panels to the floor.
NB: It is critical that sides are 100% vertical.



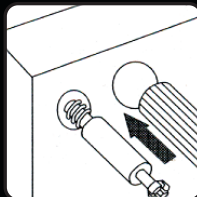
Insert shelf studs and shelves. Unit is complete.

Use a silicone based sealant to seal any gaps and give the unit a professionally fitted look.

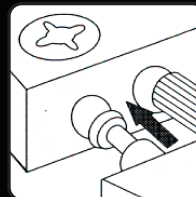
ASSEMBLY HINTS AND TIPS: Using Cam Locks -



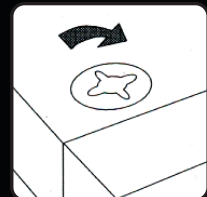
1. Place cam locks in pre drilled holes.



2. Screw studs and press dowels into pre drilled holes in side panels.



3. Join panels, inserting studs and dowels into the corresponding holes.



4. Tighten cam locks in a clockwise direction.