



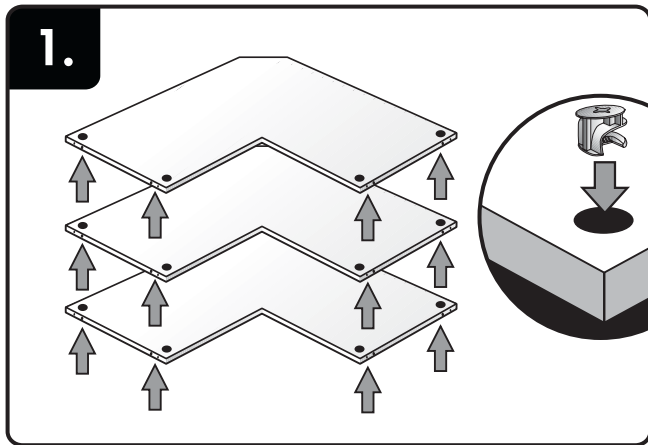
**RTA**  
READY TO ASSEMBLE

# boardprep

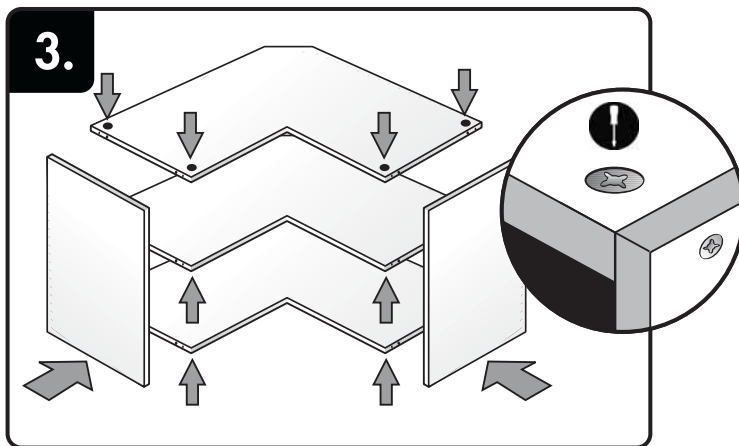
5 Circuit Road Westmead 3608 | Tel: 031 700 3187  
Fax: 031 700 3781 | www.boardprep.co.za

## WALL CORNER UNIT

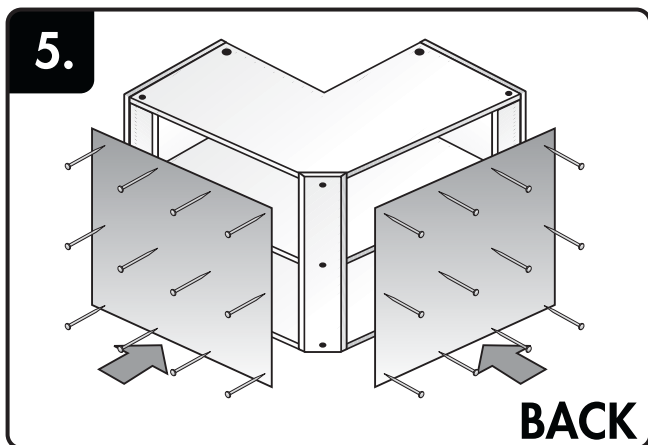
### ASSEMBLY INSTRUCTIONS



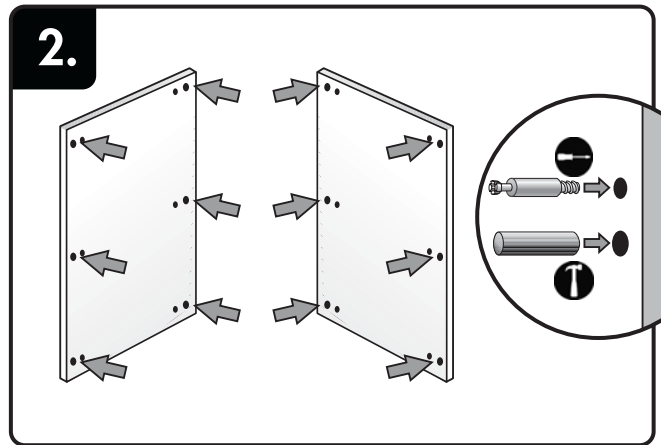
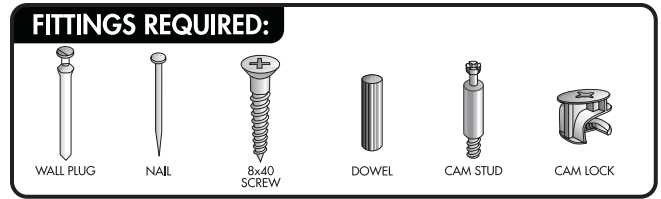
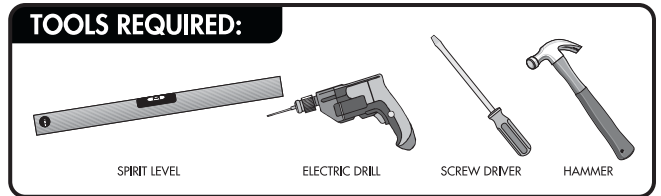
Place cam locks in pre drilled holes.



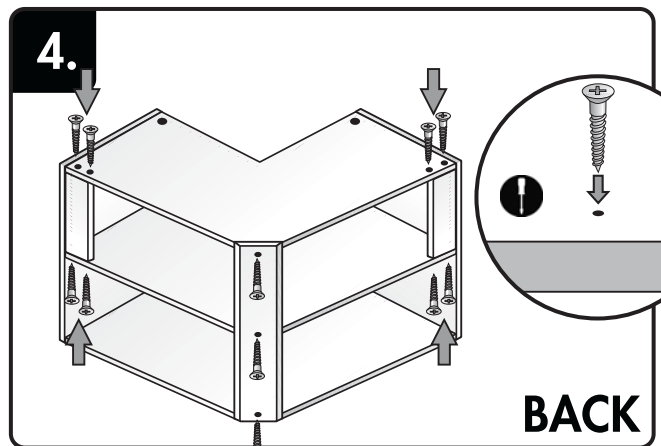
Join side panel and fasten cam locks.



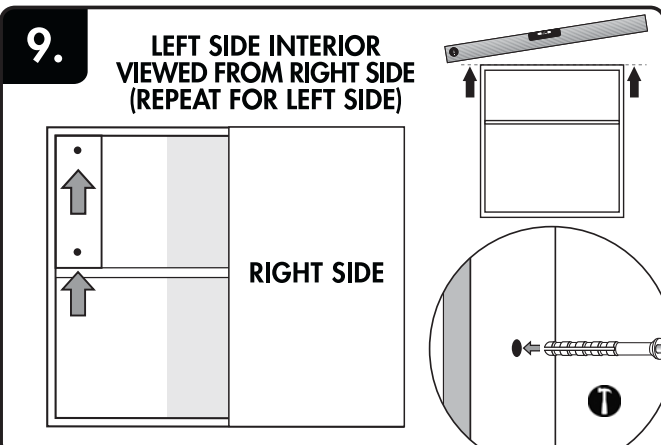
Nail Back panels into place.



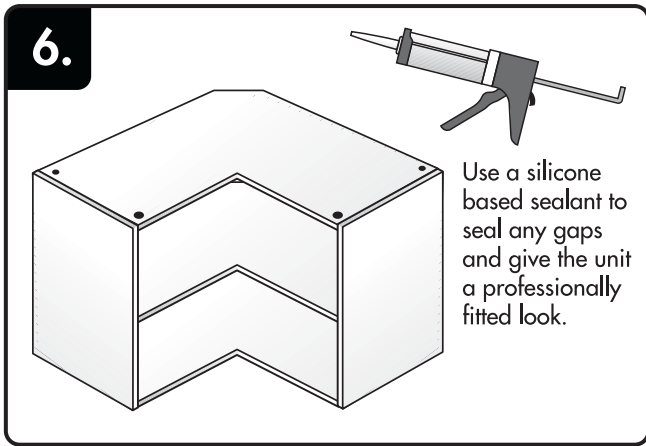
Screw studs and knock dowels into pre drilled holes In side panels.



Screw back and support rails into position.



Place the cupboard in its final position and drill 4 holes for wall plugs - 2 go through the left support rail into the wall and 2 in the right support rail. Insert the wall plug into the holes, and hammer into place. Always use a spirit level to ensure cupboard is level when fixing it to the wall.



Unit is complete.

**ASSEMBLY HINTS AND TIPS: Using Cam Locks -**



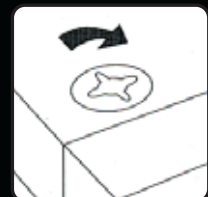
1. Place cam locks in pre drilled holes.



2. Screw studs and press dowels into pre drilled holes in side panels.



3. Join panels, inserting studs and dowels into the corresponding holes.



4. Tighten cam locks in a clockwise direction.