



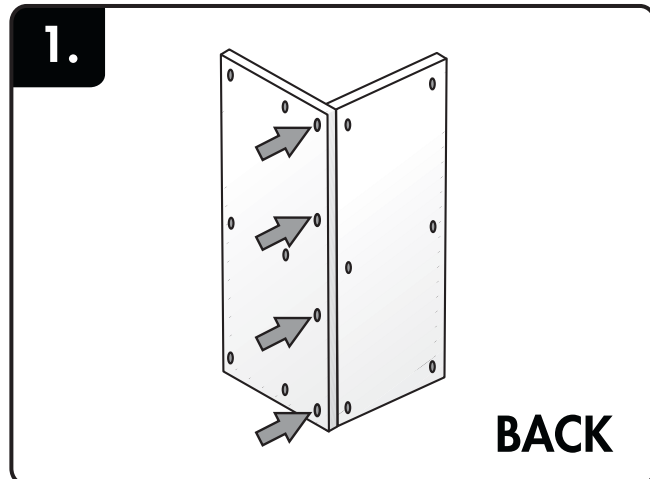
boardprep

5 Circuit Road Westmead 3608 | Tel: 031 700 3187

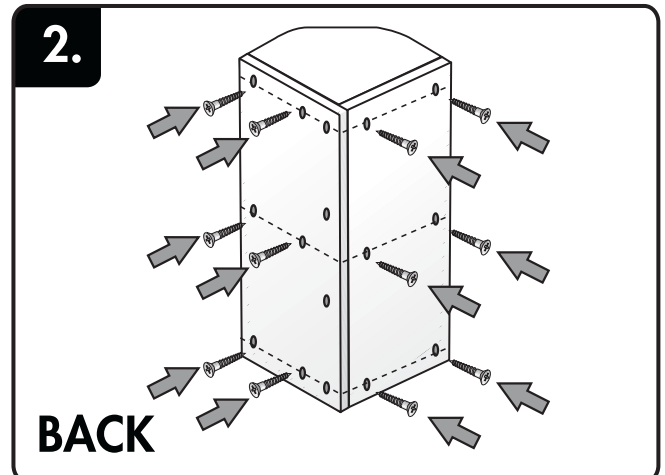
Fax: 031 700 3781 | www.boardprep.co.za

WALL END DISPLAY UNIT

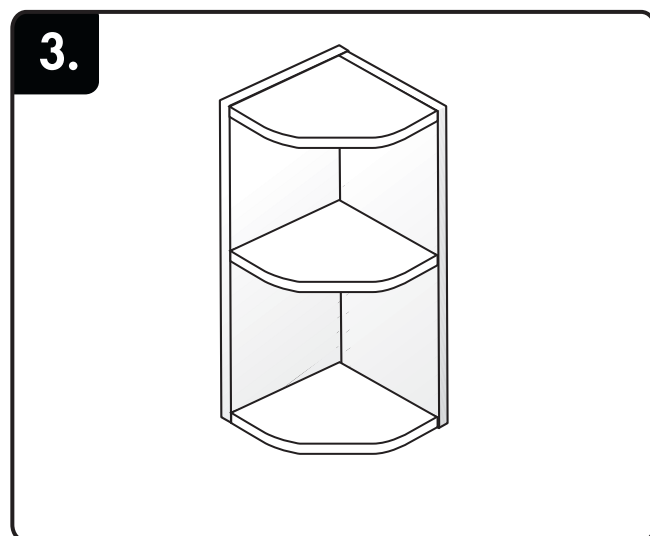
ASSEMBLY INSTRUCTIONS



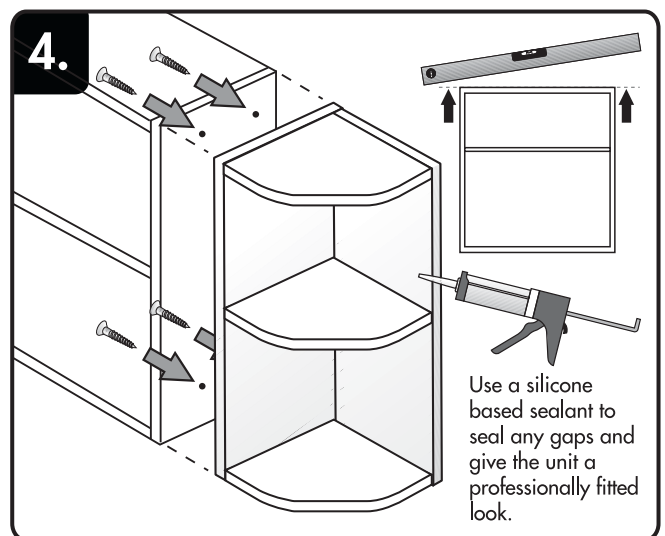
Join perpendicular panels and screw them together.



Attach shelves to perpendicular sides and screw them in place.

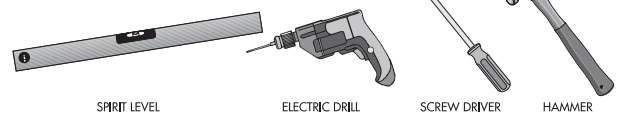


Unit is complete.



Place the cupboard in its final position and screw the unit into position from the adjacent unit, so that they attach flush to each other. Always use a spirit level to ensure unit is level when fixing it to the adjacent unit.

TOOLS REQUIRED:



FITTINGS REQUIRED:

