

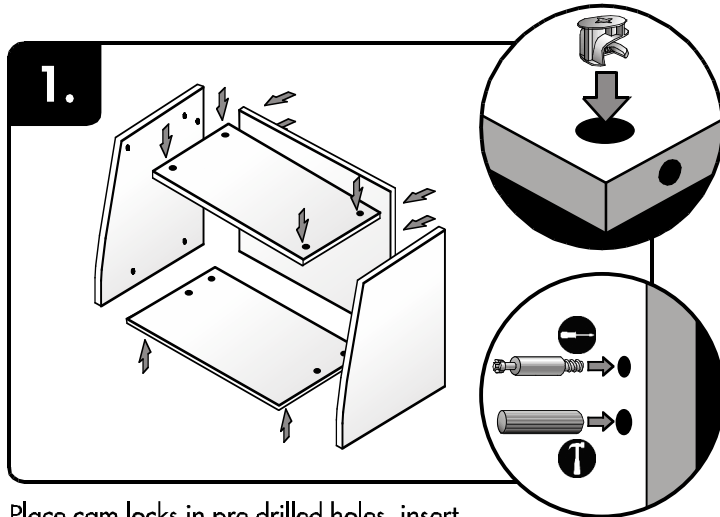


boardprep

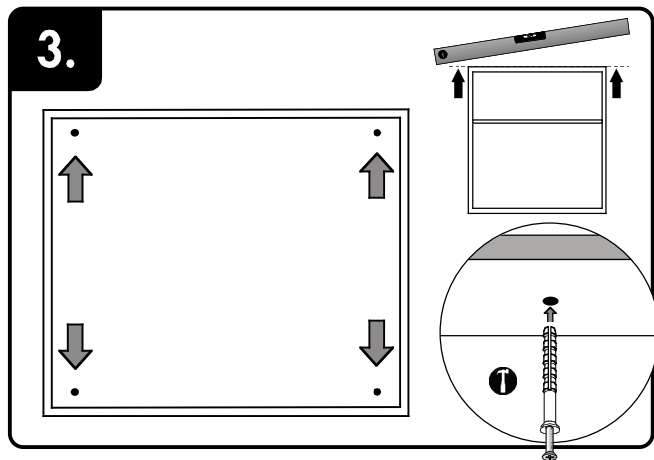
5 Circuit Road Westmead 3608 | Tel: 031 700 3187
 Fax: 031 700 3781 | www.boardprep.co.za

MICROWAVE UNIT

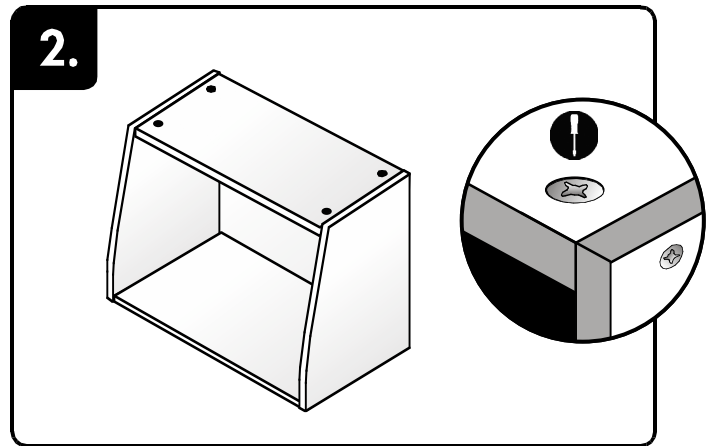
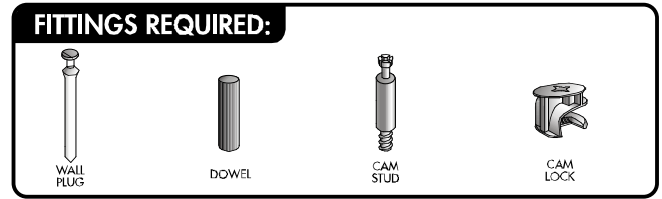
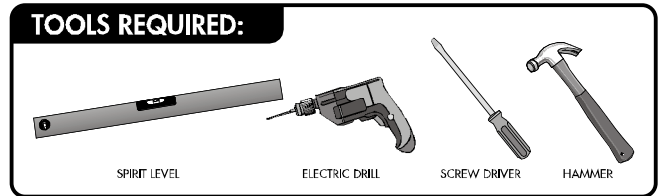
ASSEMBLY INSTRUCTIONS



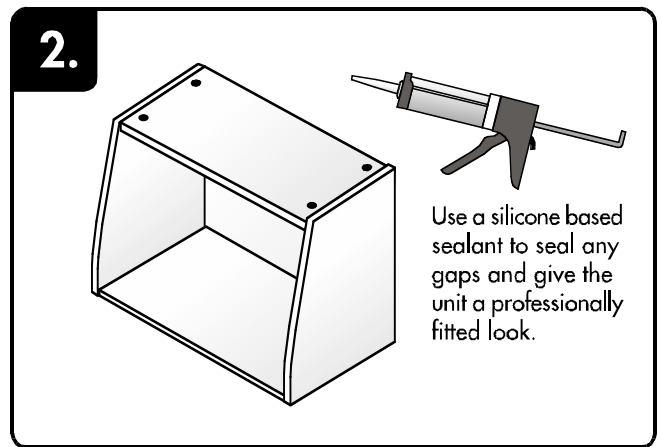
Place cam locks in pre drilled holes, insert cam's and dowels into side panels.



Place the unit in its final position and drill 4 holes for wall plugs – 2 go through the top of the back panel and 2 through the bottom of the back panel. Insert the wall plug into the holes, and hammer into place. Always use a spirit level to ensure cupboard is level when fixing it to the wall.



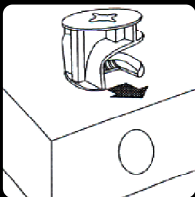
Join panels and fasten cam locks. Unit is ready to be mounted.



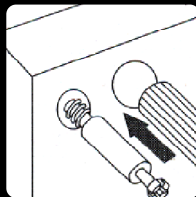
Use a silicone based sealant to seal any gaps and give the unit a professionally fitted look.

Unit is complete.

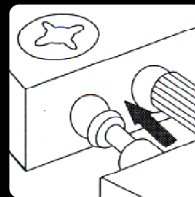
ASSEMBLY HINTS AND TIPS: Using Cam Locks -



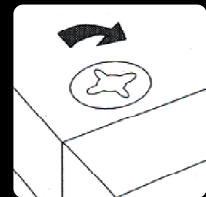
1. Place cam locks in pre drilled holes.



2. Screw studs and press dowels into pre drilled holes in side panels.



3. Join panels, inserting studs and dowels into the corresponding holes.



4. Tighten cam locks in a clockwise direction.