



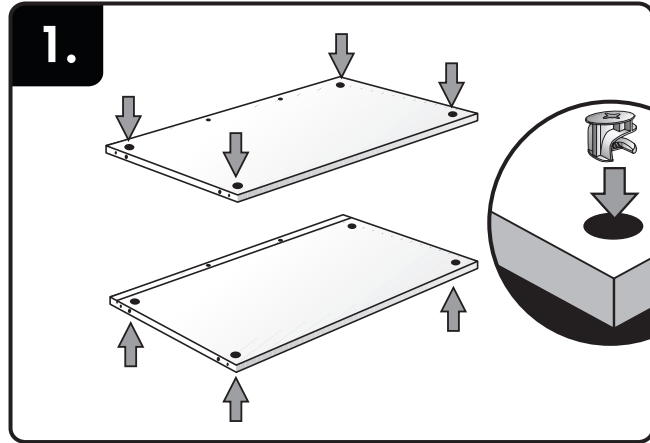
RTA
READY TO
ASSEMBLE

boardprep

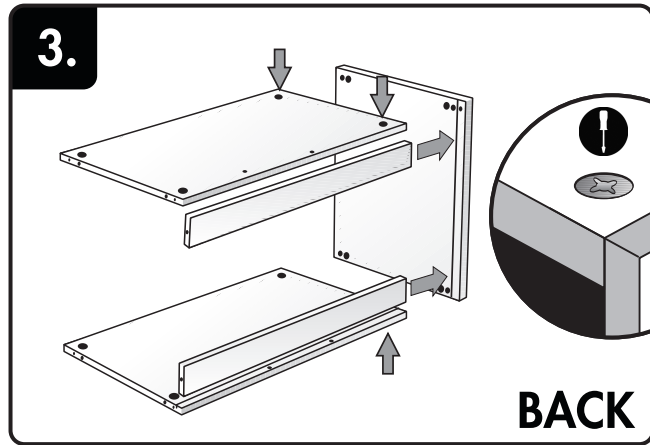
5 Circuit Road Westmead 3608 | Tel: 031 700 3187
Fax: 031 700 3781 | www.boardprep.co.za

MINI TOP BOX UNIT

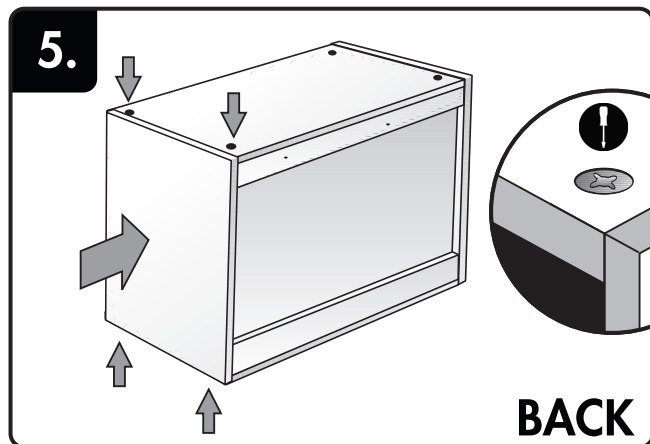
ASSEMBLY INSTRUCTIONS



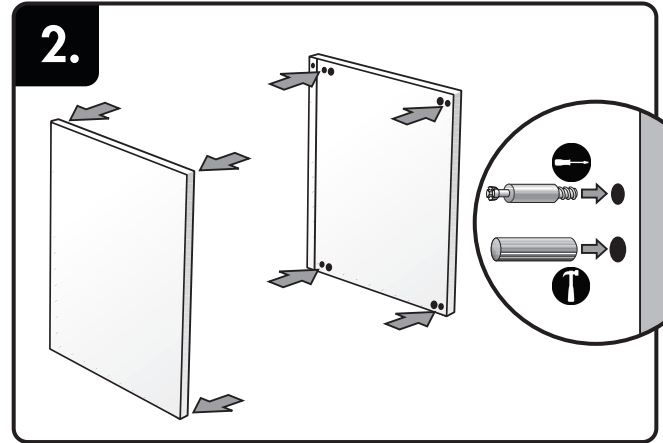
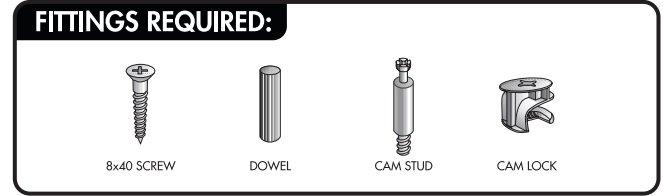
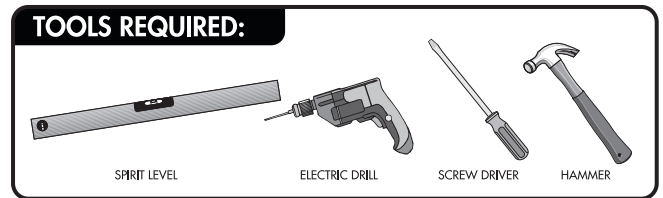
Place cam locks in pre drilled holes.
(See assembly hints on last page)



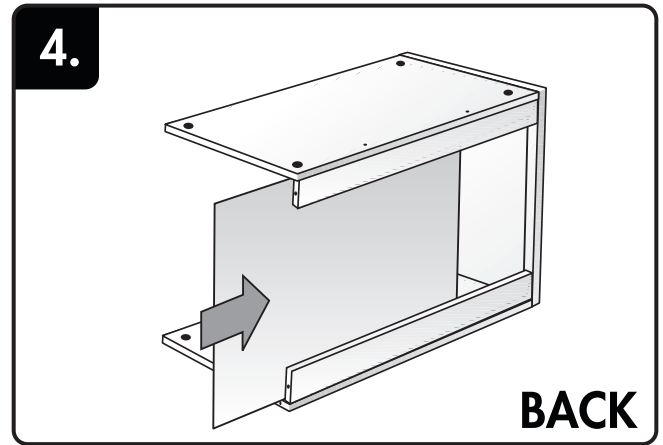
Join side panel and support rails then fasten cam locks.



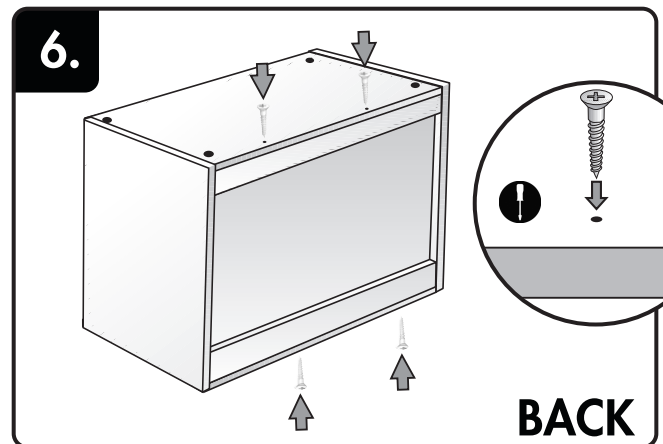
Join second side panel and fasten cam locks.



Screw studs and press dowels into pre drilled holes
In side panels.

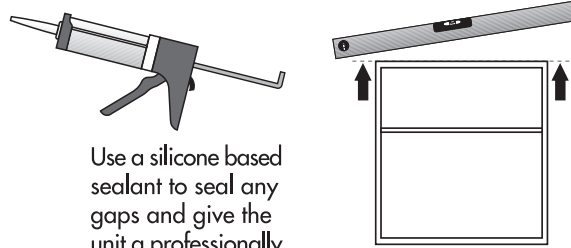


Slide back panel into position ensuring that the finished side is facing inwards.

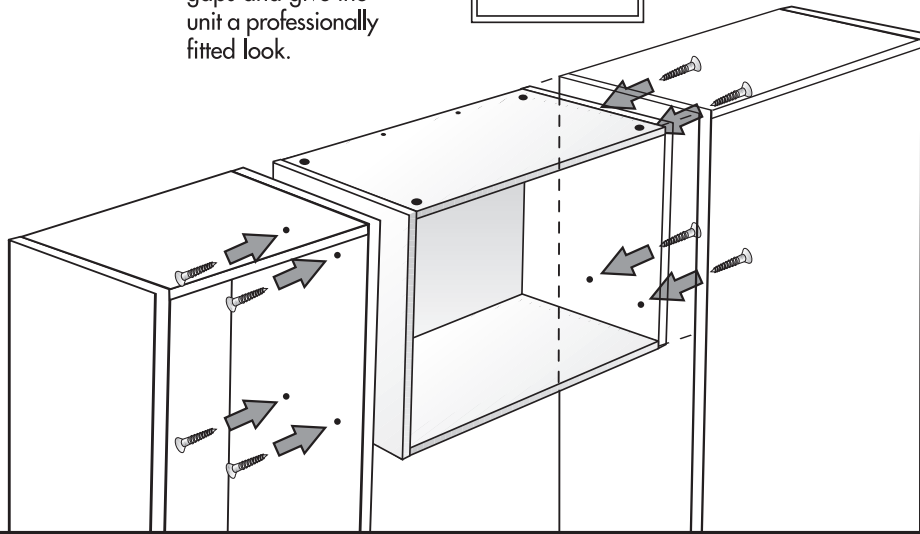


Screw support rails into position using the screws provided.

7.

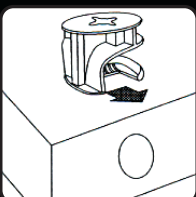


Use a silicone based sealant to seal any gaps and give the unit a professionally fitted look.

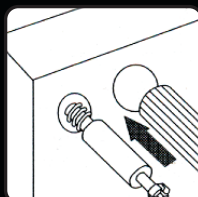


Unit is complete. Place the cupboard in its final position between the two adjacent tall units and screw the unit into position from the adjacent units, so that the tops attach flush with each other. Always use a spirit level to ensure cupboard is level when fitting.

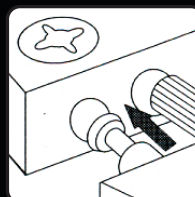
ASSEMBLY HINTS AND TIPS: Using Cam Locks -



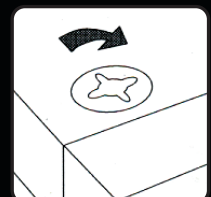
1. Place cam locks in pre drilled holes.



2. Screw studs and press dowels into pre drilled holes in side panels.



3. Join panels, inserting studs and dowels into the corresponding holes.



4. Tighten cam locks in a clockwise direction.