



boardprep

5 Circuit Road Westmead 3608 | Tel: 031 700 3187
 Fax: 031 700 3781 | www.boardprep.co.za

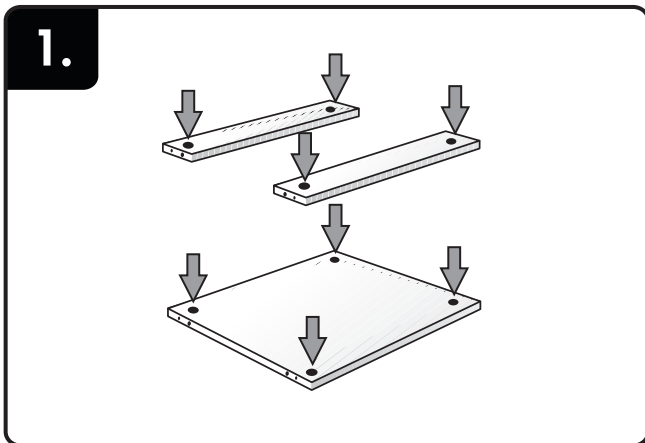
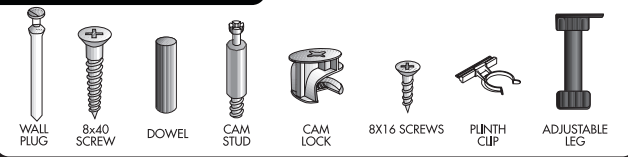
UNDERCOUNTER OVEN UNIT

ASSEMBLY INSTRUCTIONS

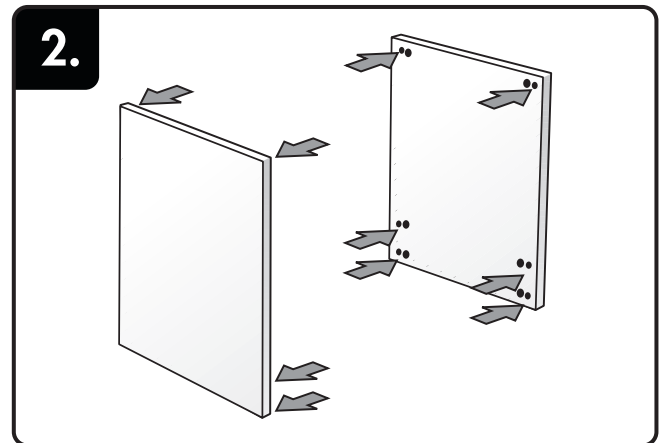
TOOLS REQUIRED:



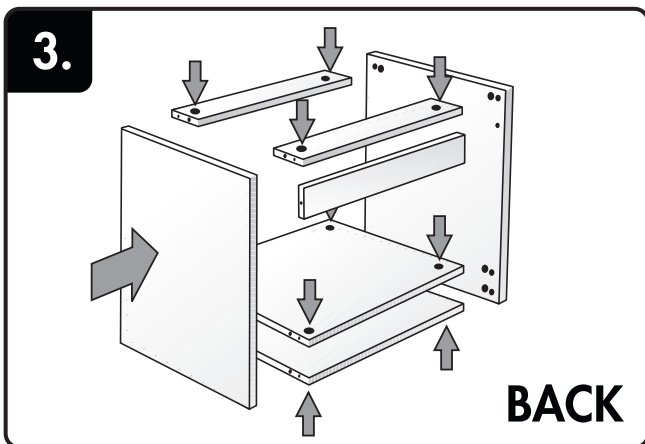
FITTINGS REQUIRED:



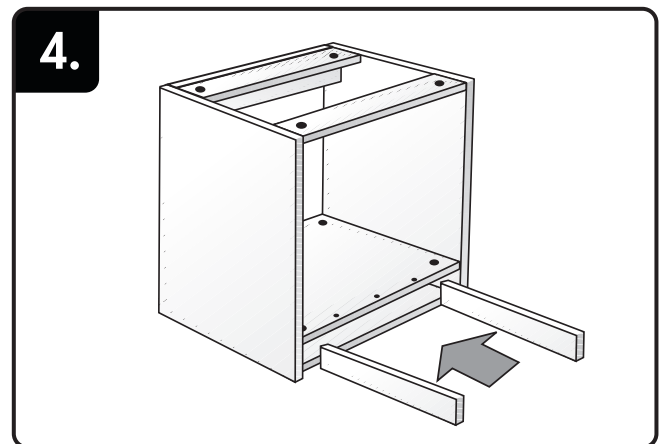
Place cam locks in pre drilled holes.



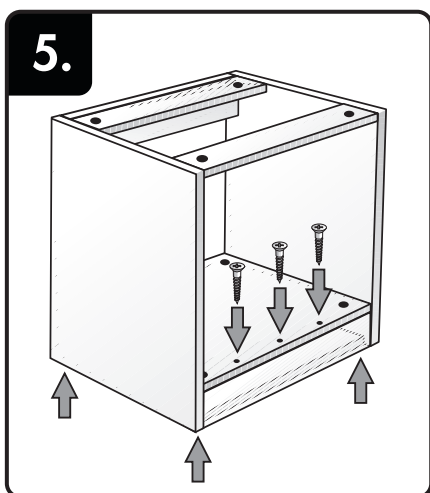
Screw studs and knock dowels into pre drilled holes In side panels.



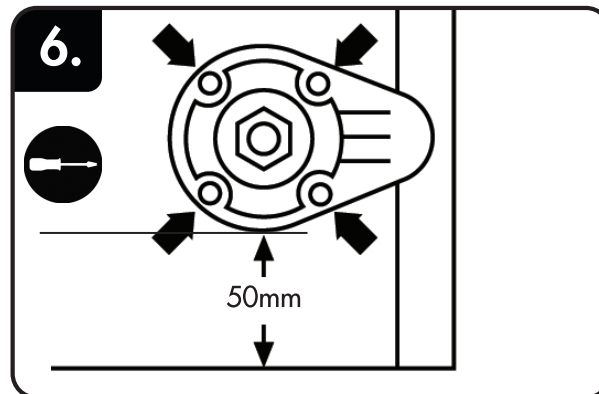
Join side panel and fasten cam locks. NB: the bottom shelf will sit recessed from the top one.



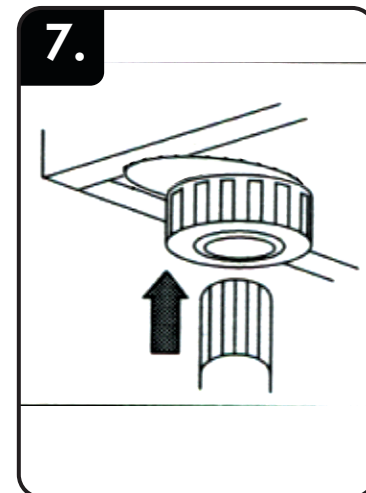
Insert bracing rails into base of unit.



Screw fascia into place and screw leg supports into the base of the unit.



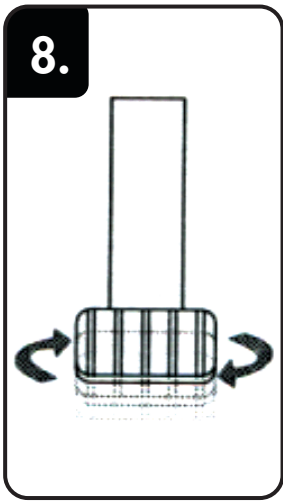
Mark lines along the base 50mm from the front and back of the unit. Line up the base section of the foot with this line and screw in, ensuring the flange goes over the joint with the side panel for added stability. Note that the placement of the base overlapping the side panel does not apply for an exposed side, as it will interfere with the skirting board.



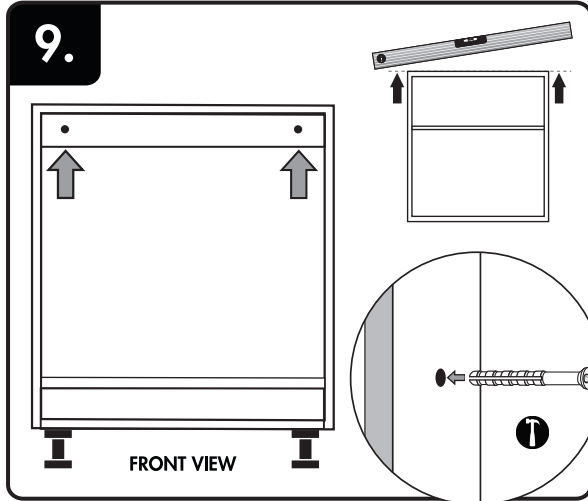
Insert the rest of the leg into the base section.

UNDERCOUNTER OVEN UNIT (CONTD)

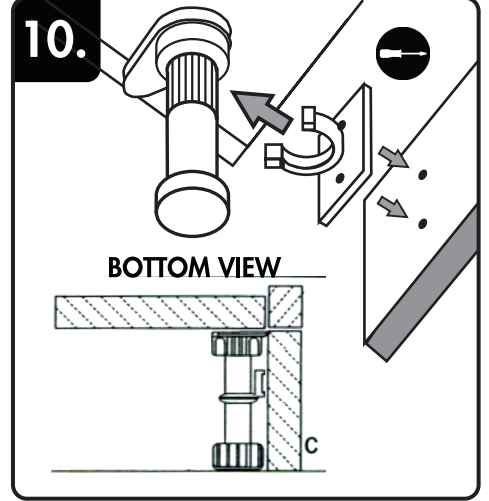
V001



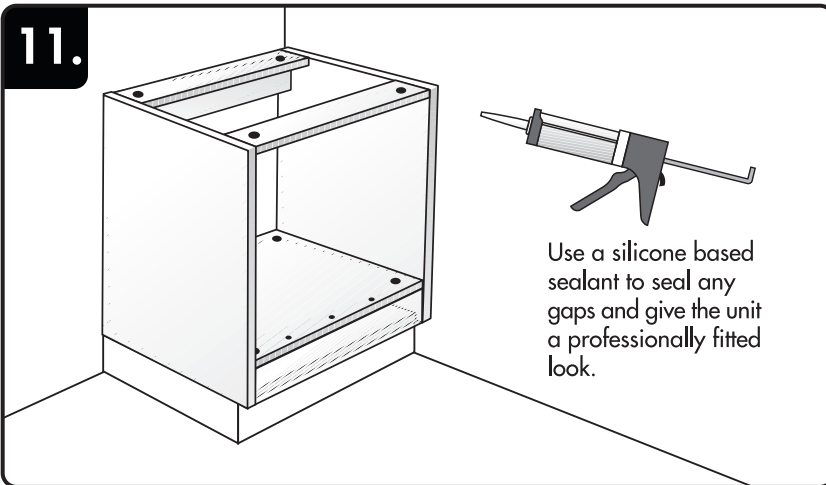
Adjust the other ends of all 4 of the legs until the unit sits level and stable on the ground



Place the unit in its final position and drill 4 holes for wall plugs – 2 go through the left support rail into the wall and 2 in the right support rail. Insert the wall plug into the holes, and hammer into place. Always use a spirit level to ensure cupboard is level when fixing it to the wall.

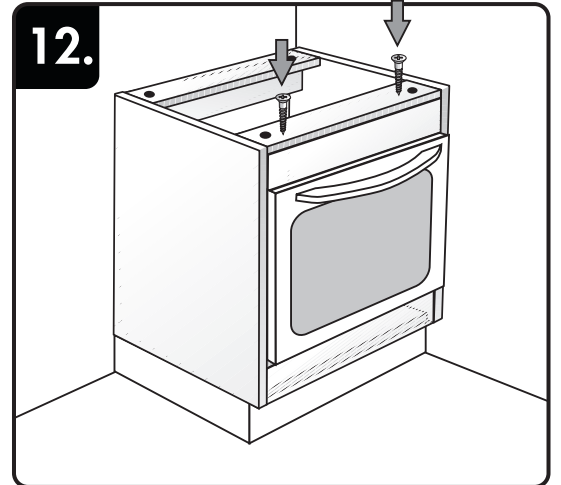


Each leg has a plate on it with a semi-circular clip attached which clips on to the shaft of the leg. Screw the plates onto the corresponding positions on the skirting first and then clip the entire skirting onto the legs.



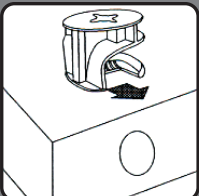
Use a silicone based sealant to seal any gaps and give the unit a professionally fitted look.

Unit is complete.

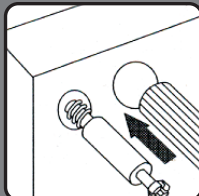


Once you have fitted the oven, fit the top fascia as shown to close any gap and screw into place.

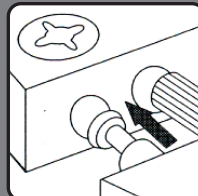
ASSEMBLY HINTS AND TIPS: Using Cam Locks -



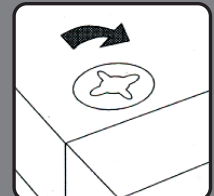
1. Place cam locks in pre drilled holes.



2. Screw studs and press dowels into pre drilled holes in side panels.



3. Join panels, inserting studs and dowels into the corresponding holes.



4. Tighten cam locks in a clockwise direction.